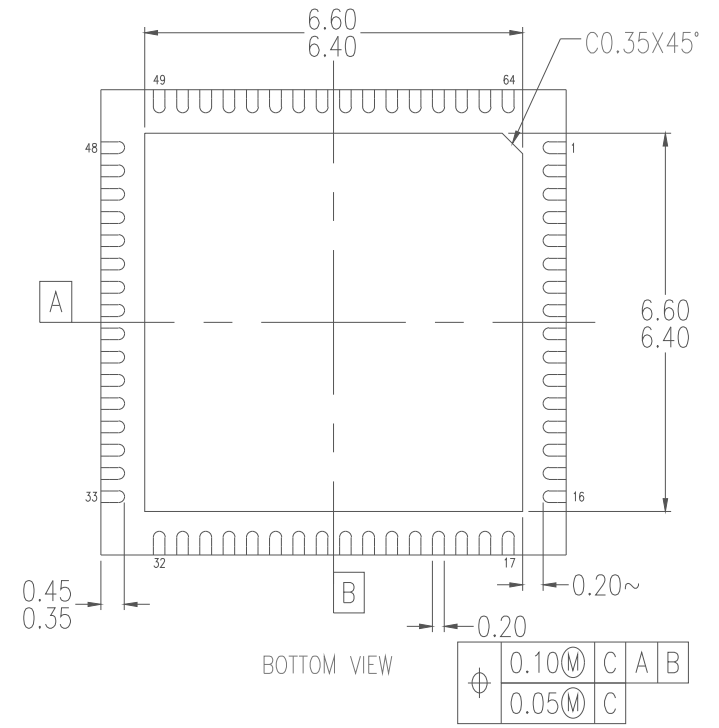
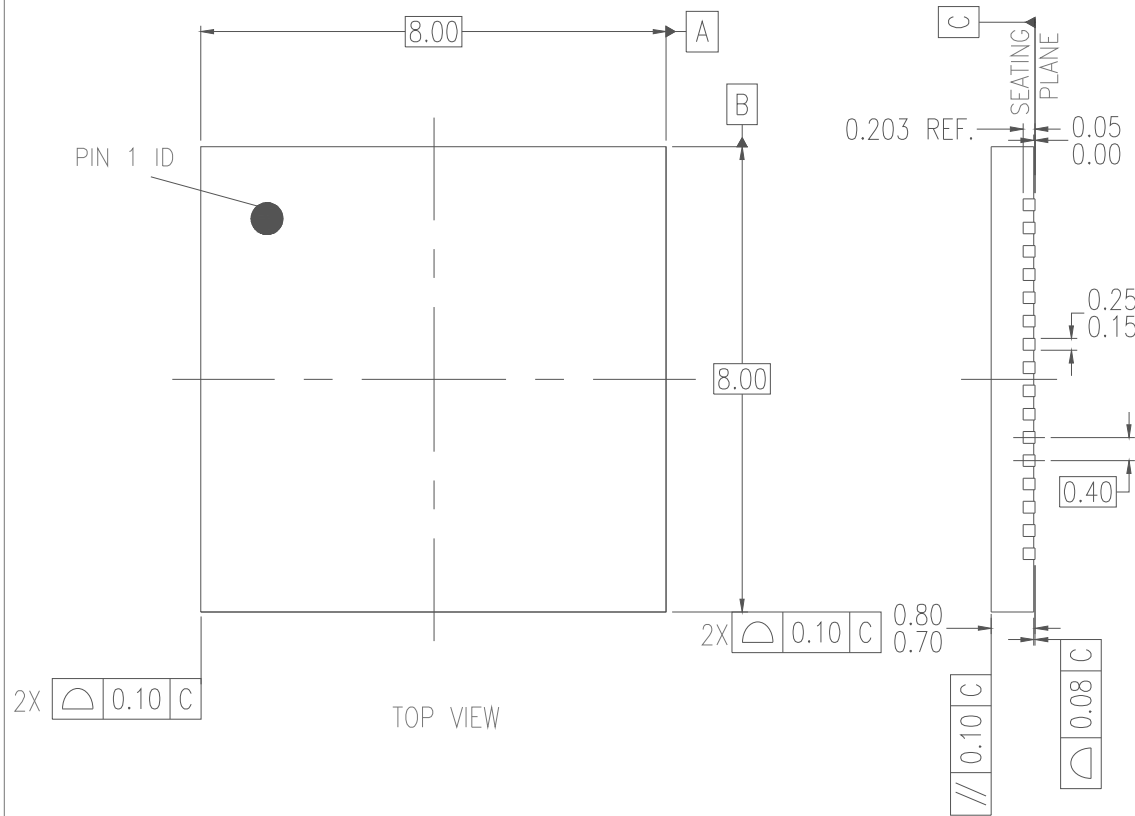


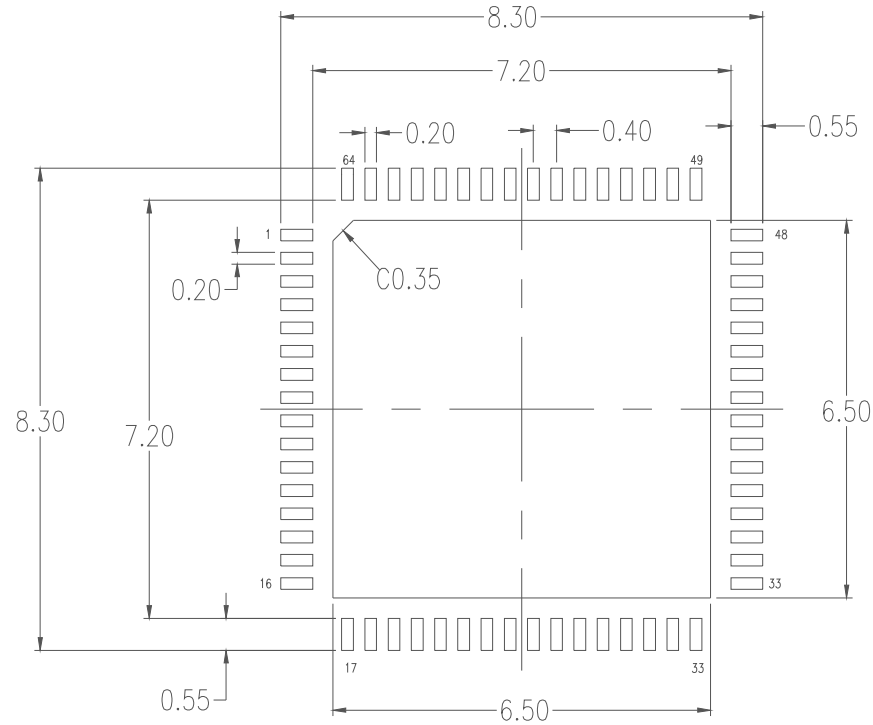
DATE		REVISIONS		
CREATED	REV	DESCRIPTION	AUTHOR	
4/29/19	00	INITIAL RELEASE	JH	
NOTE: REFER TO DCP FOR OFFICIAL RELEASE DATE				



- NOTES :
1. ALL DIMENSIONS ARE IN MILLIMETERS.
 2. ALL DIMENSIONING AND TOLERANCING CONFORM TO ASME Y14.5-2009

TOLERANCES UNLESS SPECIFIED DECIMAL ANGULAR XX± 0.05 ± XXX± 0.012 XXXX±		6024 SILVER CREEK VALLEY ROAD, SAN JOSE, CA 95138 PHONE: (408) 284-8200 FAX: (408) 284-3572	
		www.IDT.com	
TITLE NTG64 Package Outline Drawing 8.0 x 8.0 x 0.75 mm Body 0.4mm Pitch VFQFPN			
SIZE C	DRAWING No. PSC-4805	REV 00	SHEET 1 OF 2
DO NOT SCALE DRAWING			


DATE		REVISIONS		
CREATED	REV	DESCRIPTION	AUTHOR	
4/29/19	00	INITIAL RELEASE	JH	
NOTE: REFER TO DCP FOR OFFICIAL RELEASE DATE				



RECOMMENDED LAND PATTERN DIMENSION

NOTES:

1. ALL DIMENSIONS ARE IN MM. ANGLES IN DEGREES.
2. TOP DOWN VIEW. AS VIEWED ON PCB.
3. LAND PATTERN RECOMMENDATION PER IPC-7351B GENERIC REQUIREMENT FOR SURFACE MOUNT DESIGN AND LAND PATTERN.

TOLERANCES UNLESS SPECIFIED		 www.IDT.com	6024 SILVER CREEK VALLEY ROAD, SAN JOSE, CA 95138 PHONE: (408) 284-8200 FAX: (408) 284-3572		
DECIMAL	ANGULAR		TITLE NTG64 Package Outline Drawing 8.0 x 8.0 x 0.75 mm Body 0.4mm Pitch VFQFPN		
XX± 0.05 ±	±		SIZE C	DRAWING No. PSC-4805	REV 00
XXX± 0.012			DO NOT SCALE DRAWING		
XXXX±		SHEET 2 OF 2			