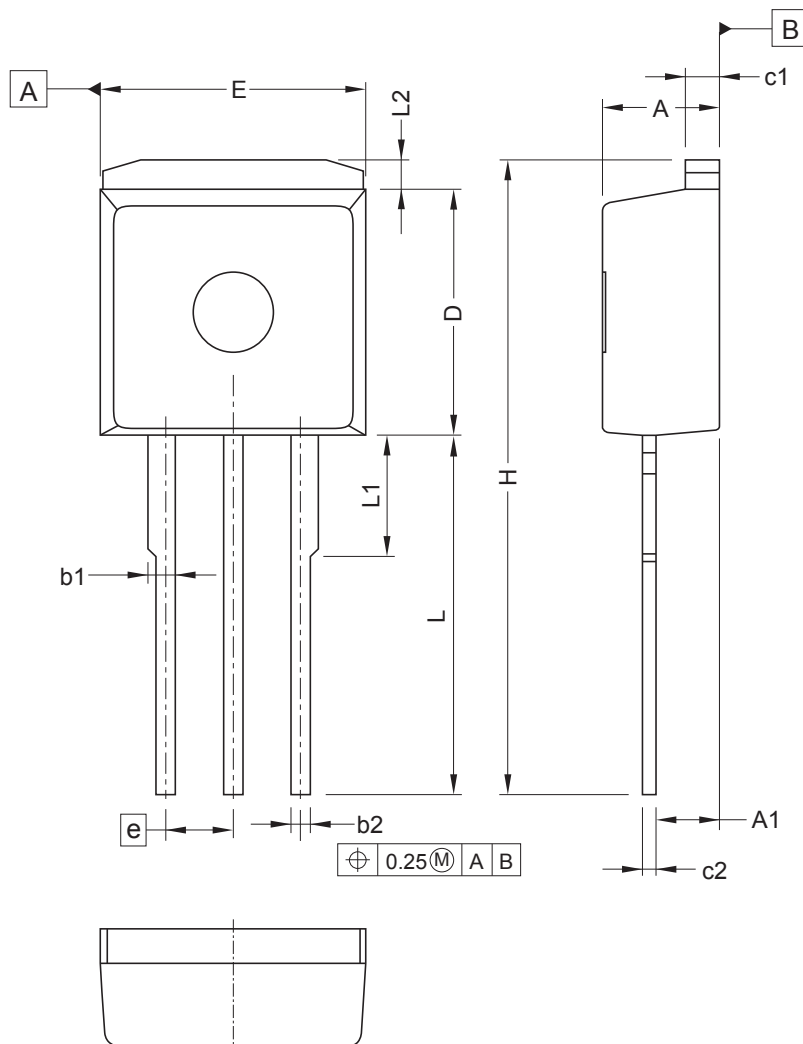


Package Name	JEITA Package Code	RENESAS Code	Previous Code	MASS (Typ) [g]
TO-262	—	PRSS0004AR-A	TO-262A	1.4

Unit: mm



Reference Symbol	Dimensions in millimeters		
	Min	Nom	Max
A	4.200	4.400	4.600
A1	2.050	2.400	2.750
b1	0.635	1.050	1.400
b2	0.640	0.750	0.880
c1	1.140	1.300	1.400
c2	0.330	0.500	0.600
D	8.500	9.250	9.650
E	9.650	10.000	10.370
e	2.54 BSC		
H	—	23.850	—
L	12.900	13.500	14.100
L1	—	4.550	4.800
L2	—	1.100	1.727