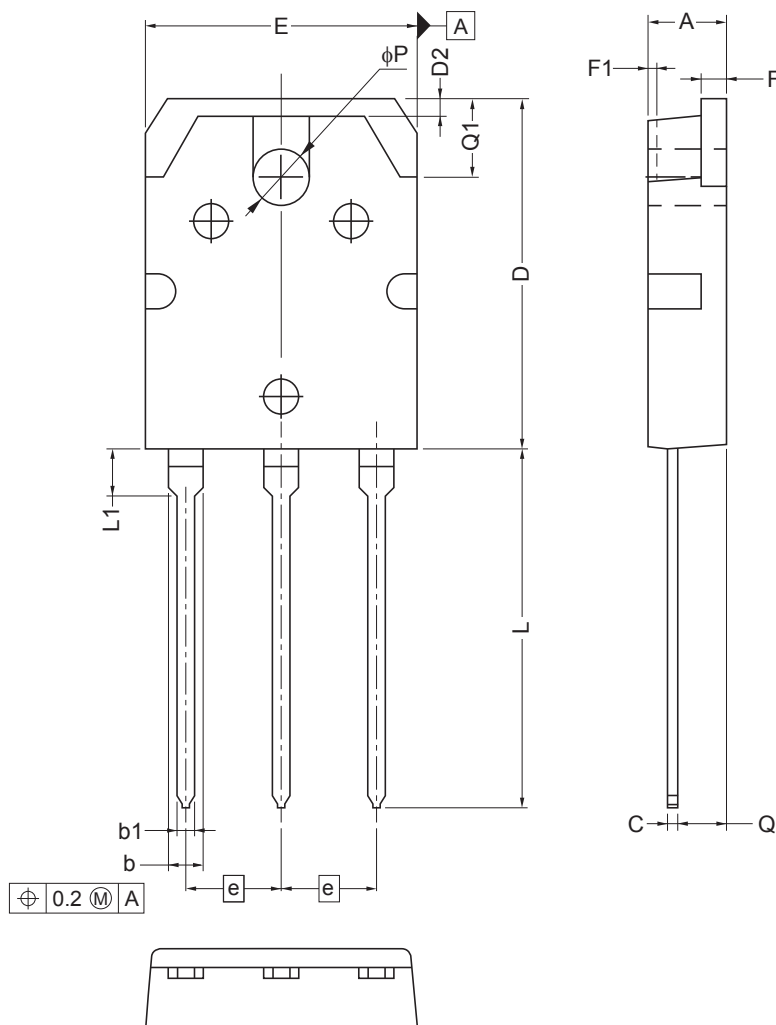


Package Name	JEITA Package Code	RENESAS Code	Previous Code	MASS (Typ) [g]
TO-3P	—	PRSS0004ZW-A	TO-3PA	4.9

Unit: mm



Reference Symbol	Dimensions in millimeters		
	Min	Nom	Max
A	4.30	4.50	4.70
b	1.70	2.00	2.30
b ₁	0.70	1.00	1.30
c	0.50	0.60	0.90
D	19.70	20.00	20.30
D ₂	—	1.00	—
E	15.20	15.50	15.80
e	5.45 BSC		
F	—	1.50	—
F ₁	—	0.50	—
L	20.00	20.50	21.00
L ₁	—	2.70	—
P	3.00	3.20	3.40
Q	—	2.80	—
Q ₁	4.20	4.50	4.80