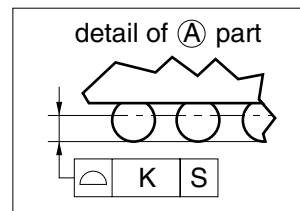
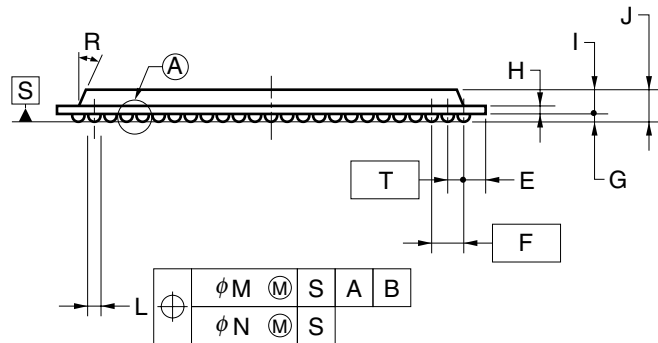
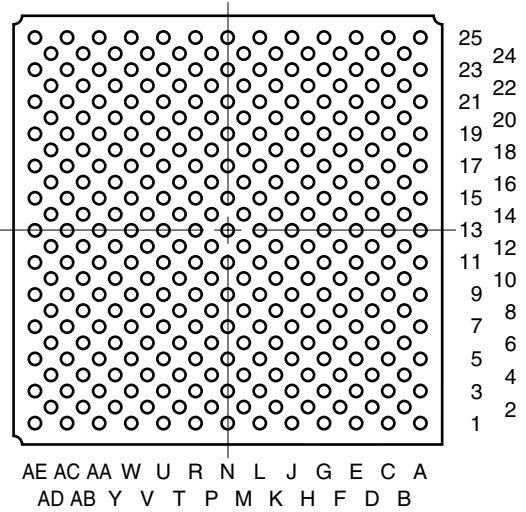
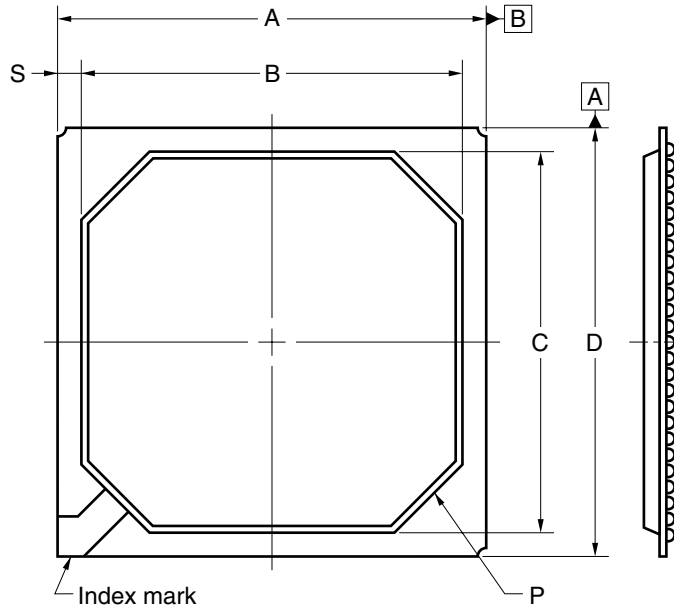


### 313-PIN PLASTIC BGA (35x35)



ITEM	MILLIMETERS
A	35.00±0.20
B	32.0
C	32.0
D	35.00±0.20
E	2.26
F	2.54 (T.P.)
G	0.6±0.1
H	0.56
I	1.73±0.15
J	2.33±0.25
K	0.15
L	0.75±0.15
M	0.30
N	0.10
P	C4.0
R	25°
S	2.5
T	1.27 (T.P.)

Y313S1-127-F5-3