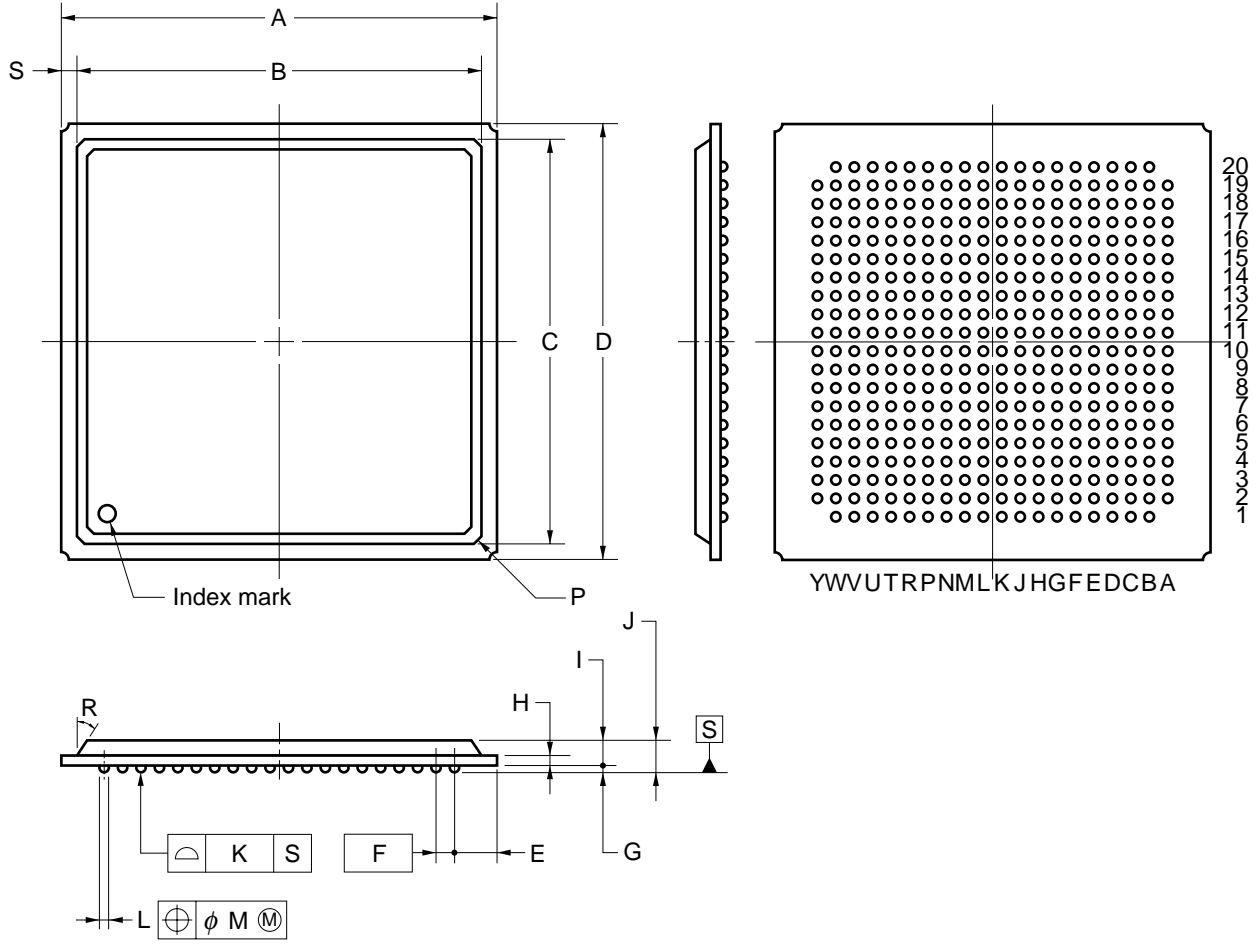


396-PIN PLASTIC BGA (35x35)



NOTE
 Each lead centerline is located within $\phi 0.3$ mm of its true position (T.P.) at maximum material condition.

ITEM	MILLIMETERS
A	35.0±0.2
B	32.5
C	32.5
D	35.0±0.2
E	3.25
F	1.5 (T.P.)
G	0.6±0.1
H	0.76
I	1.93±0.15
J	2.53±0.25
K	0.15
L	$\phi 0.75 \pm 0.15$
M	0.3
P	C0.7
R	25°
S	1.25