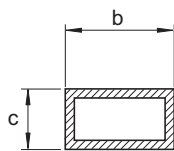
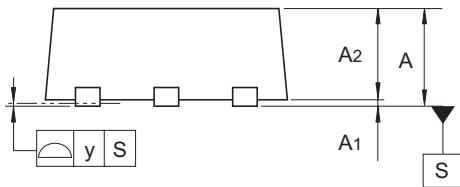
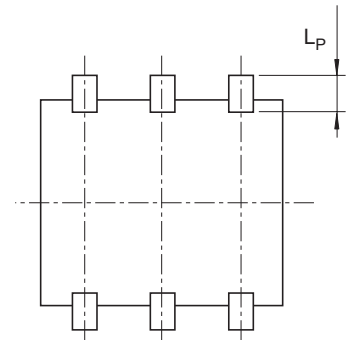
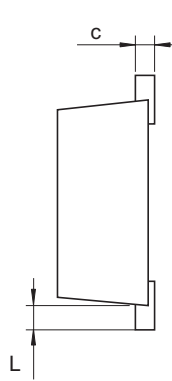
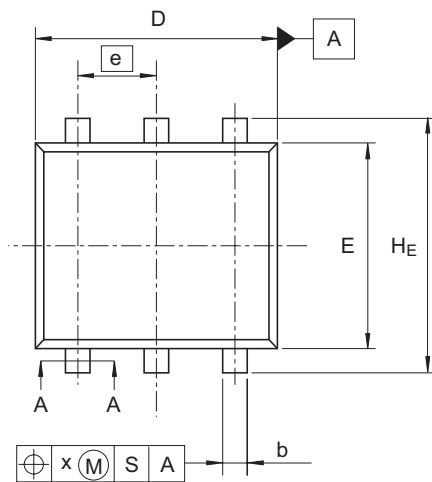


JEITA Package Code	RENESAS Code	Previous Code	MASS (Typ) [g]
—	PWSF0006JA-A	CMFPAK-6 / CMFPAK-6V	0.0065



A-A Section

Reference Symbol	Dimensions in millimeters		
	Min	Nom	Max
A	0.7	—	0.8
A ₁	0	—	0.01
A ₂	0.7	—	0.79
b	0.15	0.2	0.3
c	0.1	0.15	0.25
D	1.9	2.0	2.1
E	1.6	1.7	1.8
e	—	0.65	—
HE	2.05	2.1	2.15
L	0.1	0.2	0.3
LP	0.15	—	0.45
x	—	—	0.05
y	—	—	0.05