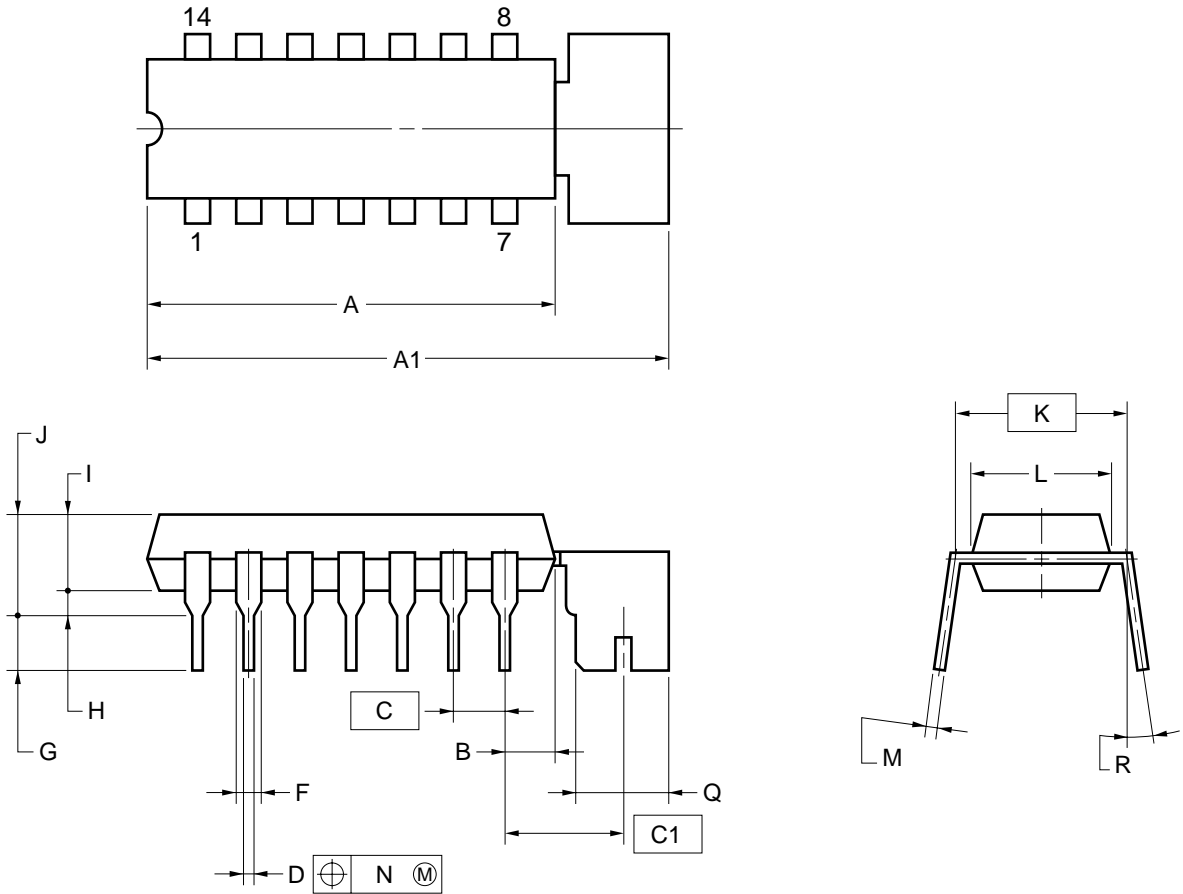


# 14-PIN PLASTIC DIP WITH TAB (7.62mm(300))



## NOTES

1. Each lead centerline is located within 0.25 mm of its true position (T.P.) at maximum material condition.
2. Item "K" to center of leads when formed parallel.

ITEM	MILLIMETERS
A	20.32 MAX.
A1	24.60 MAX.
B	2.54 MAX.
C	2.54 (T.P.)
C1	4.74
D	0.50±0.10
F	1.1 MIN.
G	3.4±0.3
H	0.51 MIN.
I	4.31 MAX.
J	5.08 MAX.
K	7.62 (T.P.)
L	6.4
M	0.30 <sup>+0.10</sup> <sub>-0.05</sub>
N	0.25
Q	4.40±0.50
R	0~15°

P14CT-100-300B-2