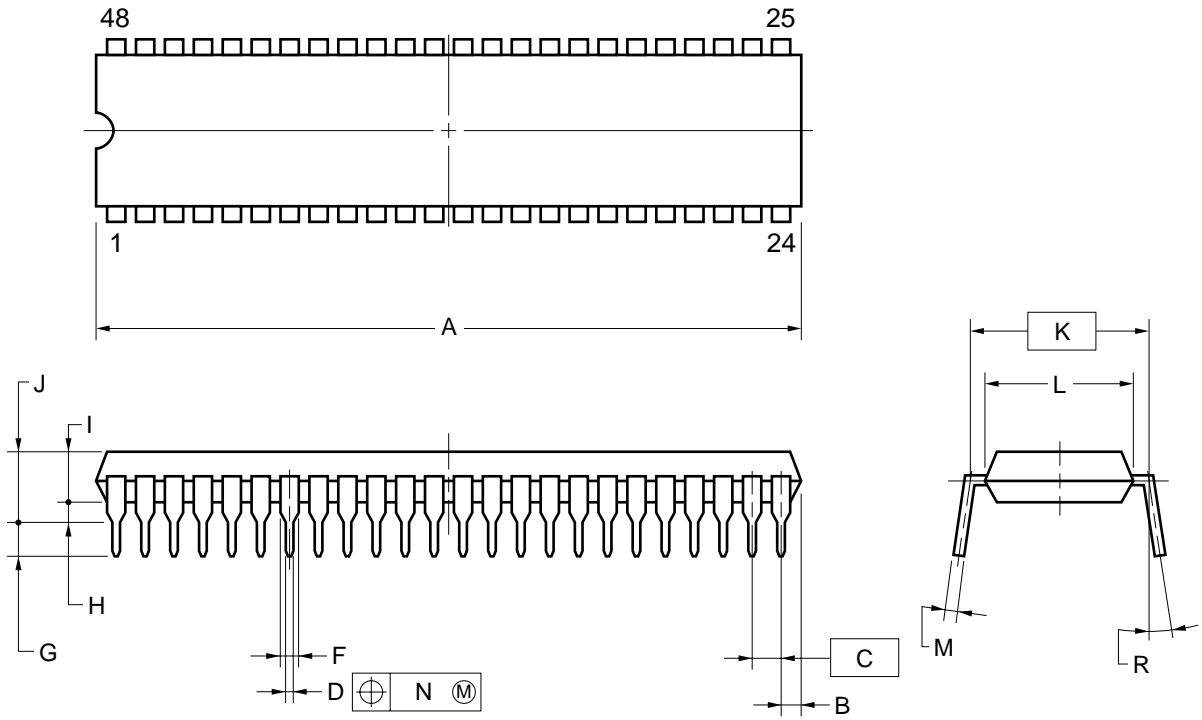


## 48-PIN PLASTIC DIP (15.24mm(600))



### NOTES

- Each lead centerline is located within 0.25 mm of its true position (T.P.) at maximum material condition.
- Item "K" to center of leads when formed parallel.

ITEM	MILLIMETERS
A	63.50 MAX.
B	2.54 MAX.
C	2.54 (T.P.)
D	0.50±0.10
F	1.1 MIN.
G	3.6±0.3
H	0.51 MIN.
I	4.31 MAX.
J	5.72 MAX.
K	15.24 (T.P.)
L	13.8
M	0.25 <sup>+0.10</sup> <sub>-0.05</sub>
N	0.25
R	0~15°

P48C-100-600A-2