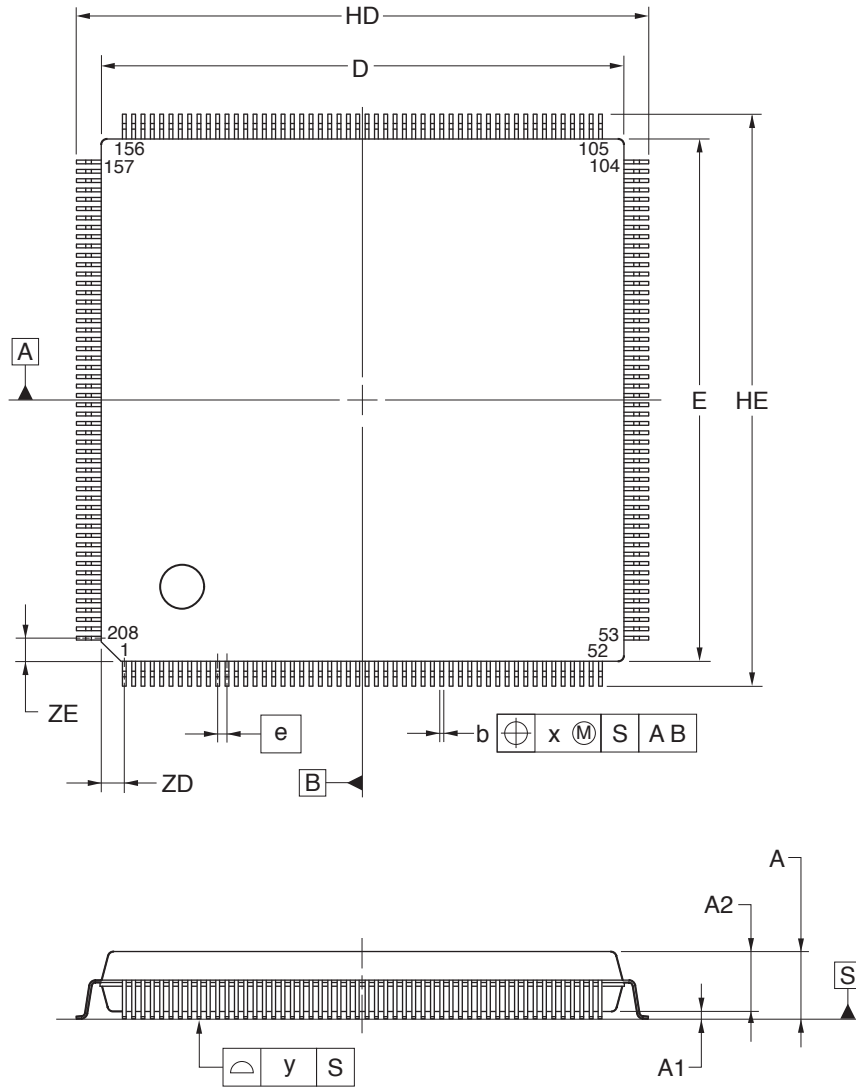
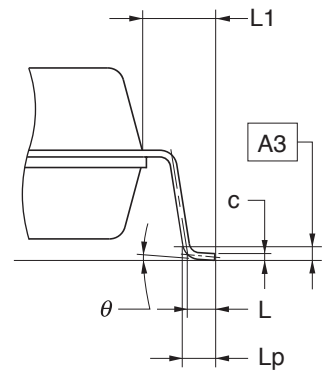


208-PIN PLASTIC QFP (FINE PITCH) (28x28)



detail of lead end



(UNIT:mm)

ITEM	DIMENSIONS
D	28.00±0.20
E	28.00±0.20
HD	30.60±0.20
HE	30.60±0.20
A	3.80 MAX.
A1	0.40±0.10
A2	3.20±0.10
A3	0.25
b	0.20 ^{+0.07} _{-0.02}
c	0.125 ^{+0.075} _{-0.025}
L	0.50
Lp	0.60±0.15
L1	1.325 ^{+0.175} _{-0.225}
θ	3° ⁺ _{-3°} 7°
e	0.50
x	0.10
y	0.10
ZD	1.25
ZE	1.25

P208GD-50-FAD-1