

JEITA Package Code

RENESAS Code

Previous Code

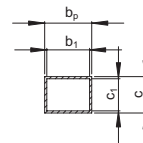
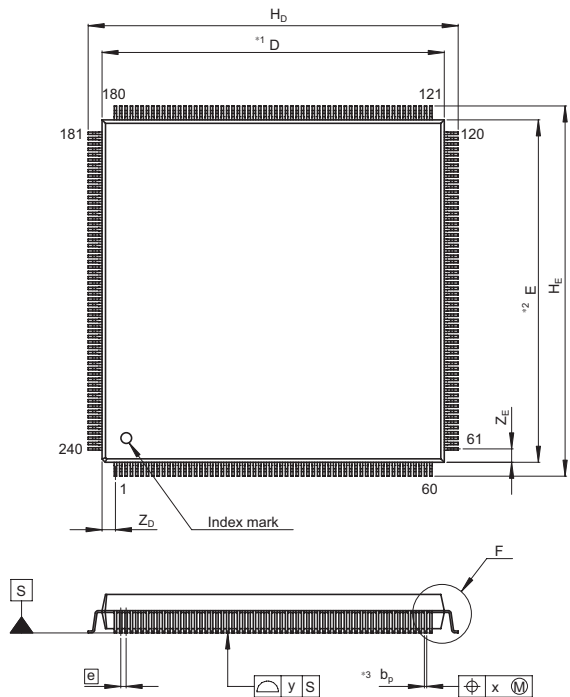
MASS[Typ.]

P-FQFP240-32x32-0.50

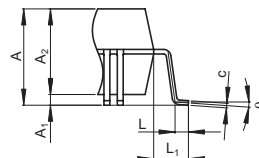
PRQP0240KC-A

FP-240/FP-240V

7.0g



Terminal cross section



Detail F

NOTE)

1. DIMENSIONS *1 AND *2 DO NOT INCLUDE MOLD FLASH
2. DIMENSION *3 DOES NOT INCLUDE TRIM OFFSET.

Reference Symbol	Dimension in Millimeters		
	Min	Nom	Max
D	—	32	—
E	—	32	—
A ₂	—	3.20	—
H _D	34.4	34.6	34.8
H _E	34.4	34.6	34.8
A	—	—	3.95
A ₁	0.25	0.40	0.50
b _p	0.17	0.22	0.27
b ₁	—	0.20	—
c	0.12	0.17	0.22
c ₁	—	0.15	—
θ	0°	—	8°
ⓔ	—	0.5	—
x	—	—	0.10
y	—	—	0.10
Z _D	—	1.25	—
Z _E	—	1.25	—
L	0.3	0.5	0.7
L ₁	—	1.3	—