

JEITA Package Code

RENESAS Code

Previous Code

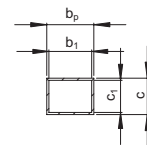
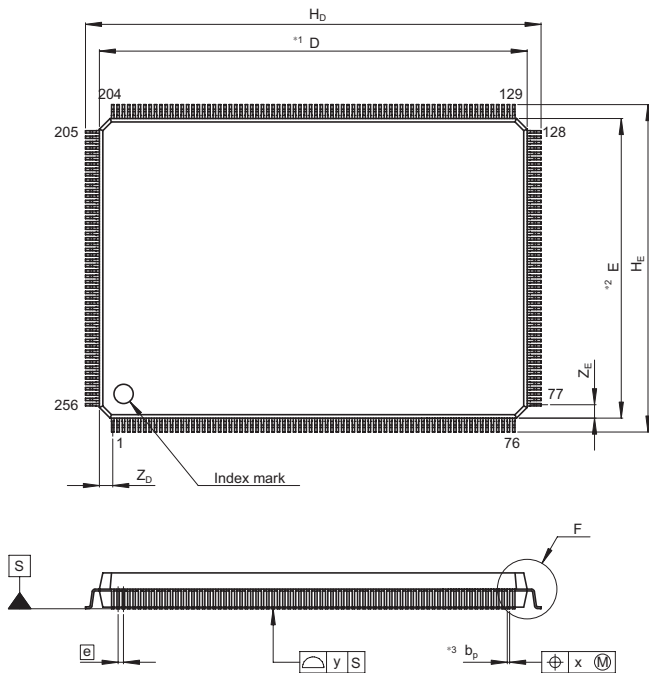
MASS[Typ.]

P-FQFP256-28x40-0.50

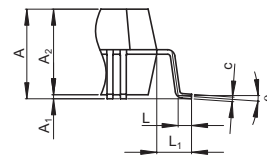
PRQP0256KB-A

FP-256H/FP-256HV

7.5g



Terminal cross section



Detail F

NOTE)

1. DIMENSIONS \*1 AND \*2 DO NOT INCLUDE MOLD FLASH
2. DIMENSION \*3 DOES NOT INCLUDE TRIM OFFSET.

Reference Symbol	Dimension in Millimeters		
	Min	Nom	Max
D	—	40	—
E	—	28	—
A <sub>2</sub>	—	3.20	—
H <sub>D</sub>	42.3	42.6	42.9
H <sub>E</sub>	30.3	30.6	30.9
A	—	—	3.56
A <sub>1</sub>	0.05	0.15	0.25
b <sub>p</sub>	0.17	0.22	0.27
b <sub>1</sub>	—	0.20	—
c	0.12	0.17	0.22
c <sub>1</sub>	—	0.15	—
θ	0°	—	8°
ⓔ	—	0.5	—
x	—	—	0.10
y	—	—	0.08
Z <sub>D</sub>	—	1.25	—
Z <sub>E</sub>	—	1.25	—
L	0.3	0.5	0.7
L <sub>1</sub>	—	1.3	—