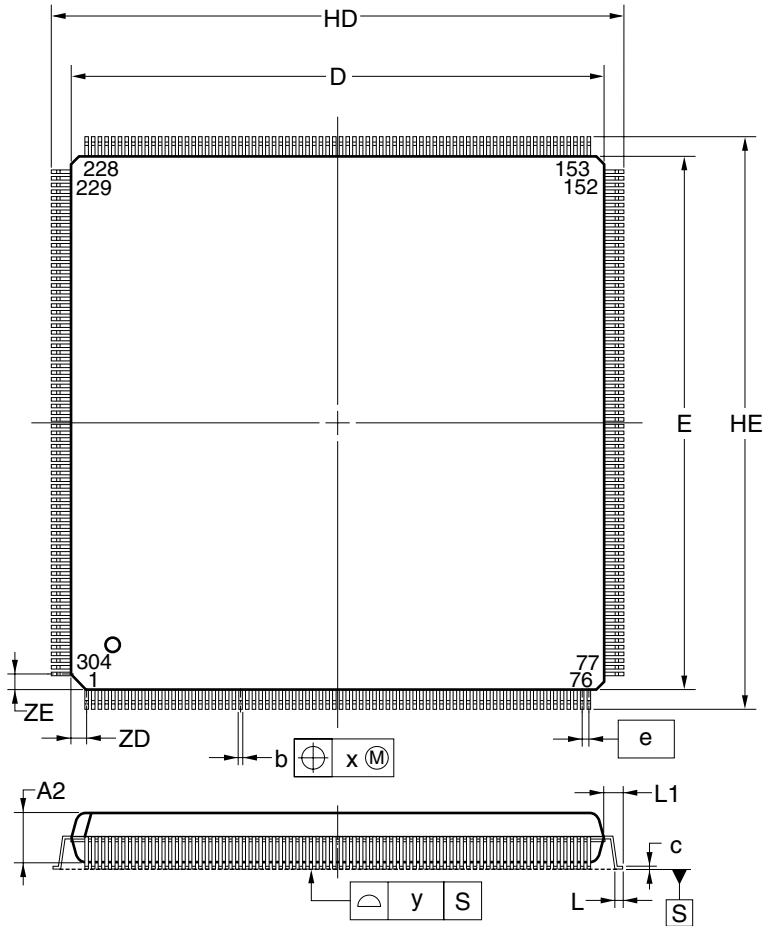
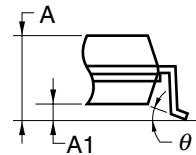


304-PIN PLASTIC QFP(FINE PITCH) (40x40)



detail of lead end



(UNIT:mm)

ITEM	DIMENSIONS
D	40.0±0.2
E	40.0±0.2
A2	3.7±0.1
HD	42.6±0.2
HE	42.6±0.2
A	4.3 MAX.
A1	0.4±0.1
b	0.22±0.05
c	0.17 ^{+0.03} _{-0.07}
θ	3° ^{+7°} _{-3°}
e	0.5
x	0.10
y	0.10
ZD	1.25
ZE	1.25
L	0.5±0.2
L1	1.3±0.2

P304GL-50-DMU

NOTE

Each lead centerline is located within 0.10 mm of its true position at maximum material condition.