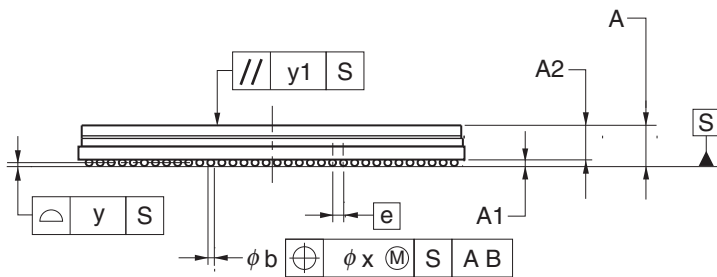
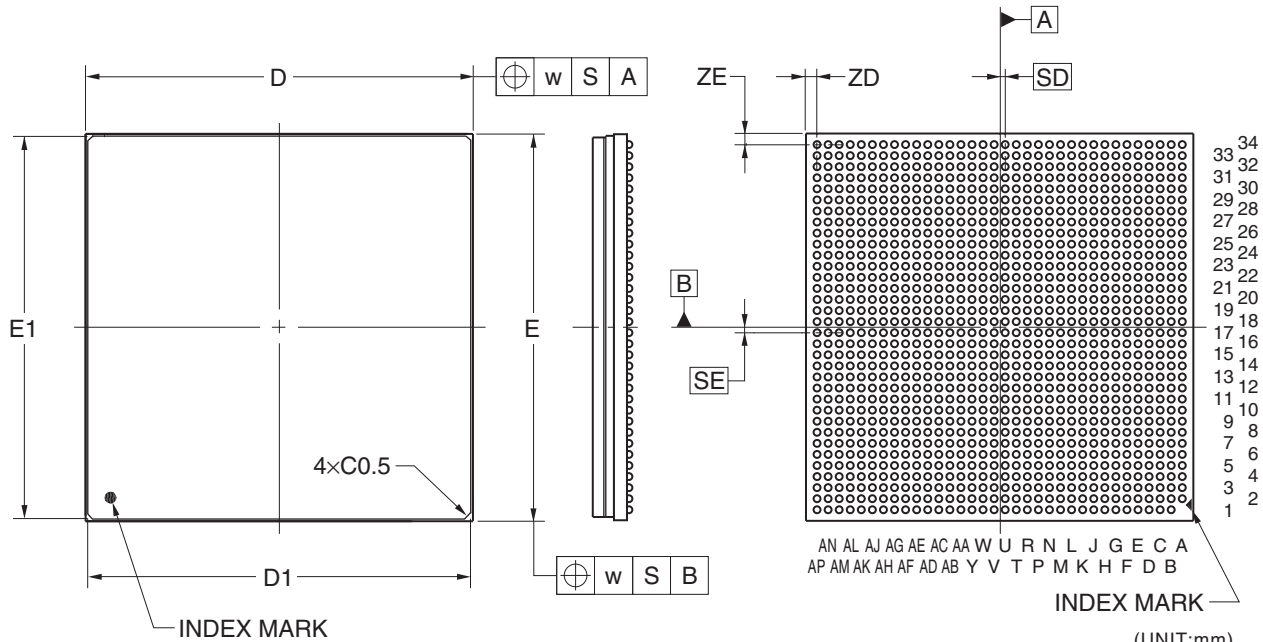


| | | | |
|-----------------------|--------------|-------------------|-----------------|
| JEITA Package Code | RENESAS Code | Previous Code | MASS (TYP.) [g] |
| P-HBGA1155-35x35-1.00 | PRBG1155FE-A | P1155F5-100-RN8-2 | 18.6 |



INDEX MARK

(UNIT:mm)

| ITEM | DIMENSIONS |
|------|------------|
| D | 35.00±0.10 |
| D1 | 34.40±0.05 |
| E | 35.00±0.10 |
| E1 | 34.40±0.05 |
| w | 0.30 |
| e | 1.00 |
| SD | 0.50 |
| SE | 0.50 |
| A | 3.45±0.40 |
| A1 | 0.45±0.10 |
| A2 | 3.00 |
| b | 0.60±0.10 |
| x | 0.10 |
| y | 0.20 |
| y1 | 0.35 |
| ZD | 1.00 |
| ZE | 1.00 |