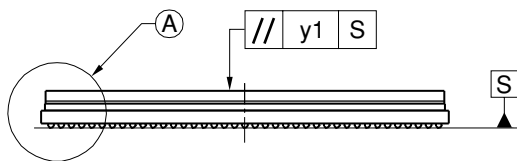
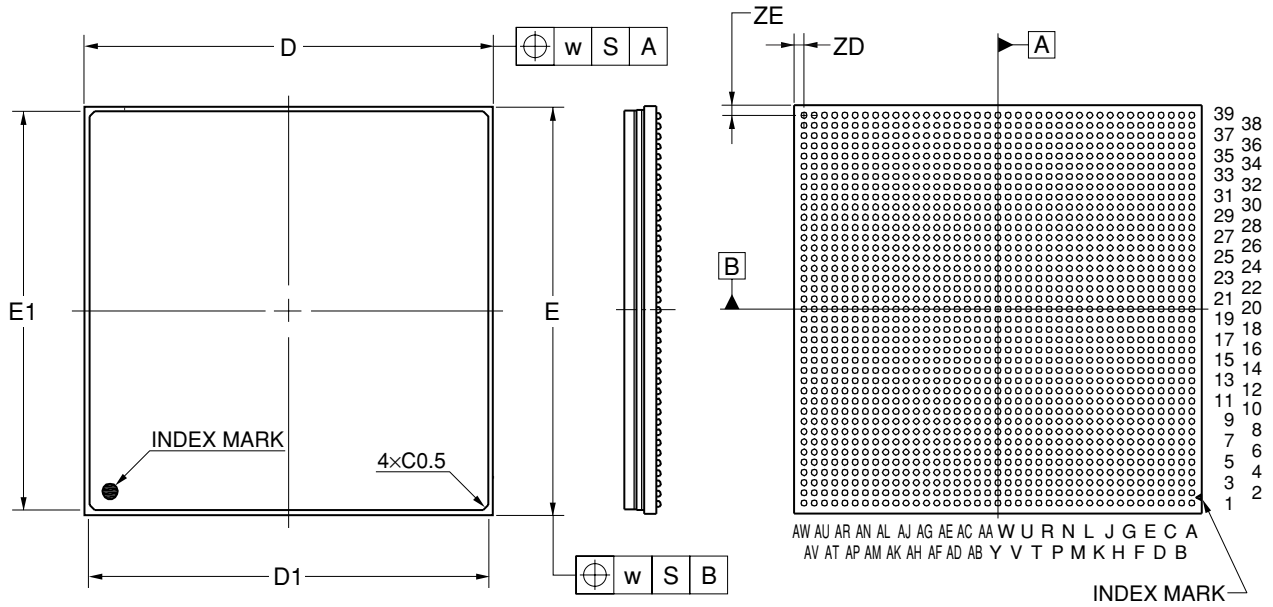
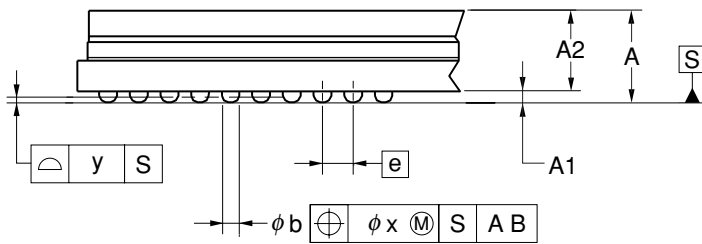


1521-PIN PLASTIC BGA (FLIP CHIP TYPE) (40x40)



detail of (A) part



(UNIT:mm)

ITEM	DIMENSIONS
D	40.00±0.10
D1	39.10±0.05
E	40.00±0.10
E1	39.10±0.05
w	0.30
e	1.00
A	3.60±0.40
A1	0.45±0.10
A2	3.15
b	0.60±0.10
x	0.10
y	0.20
y1	0.35
ZD	1.00
ZE	1.00

P1521F5-100-UA4