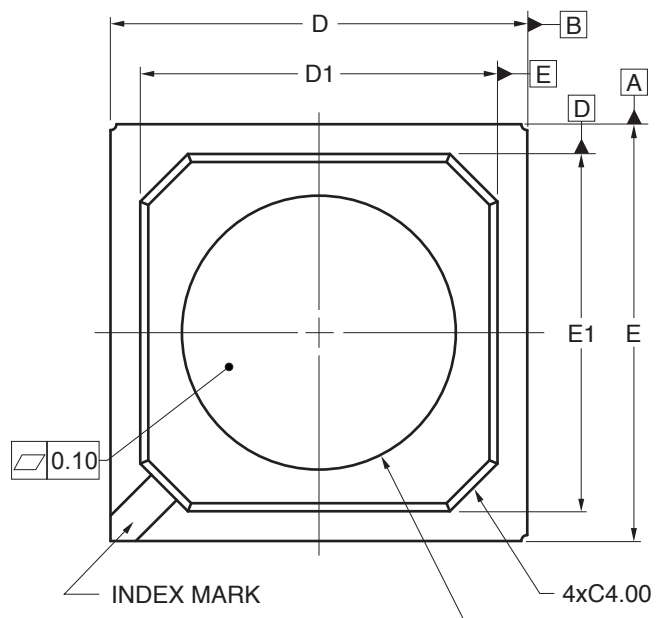
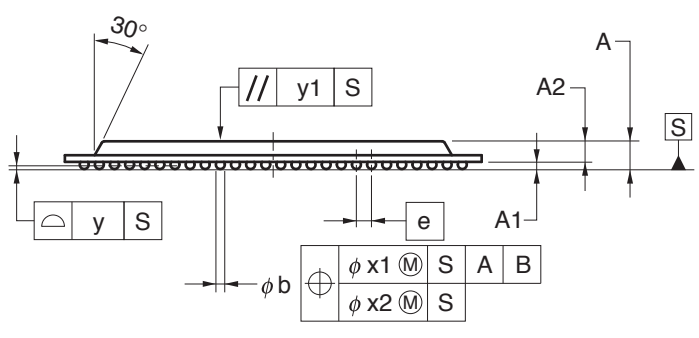
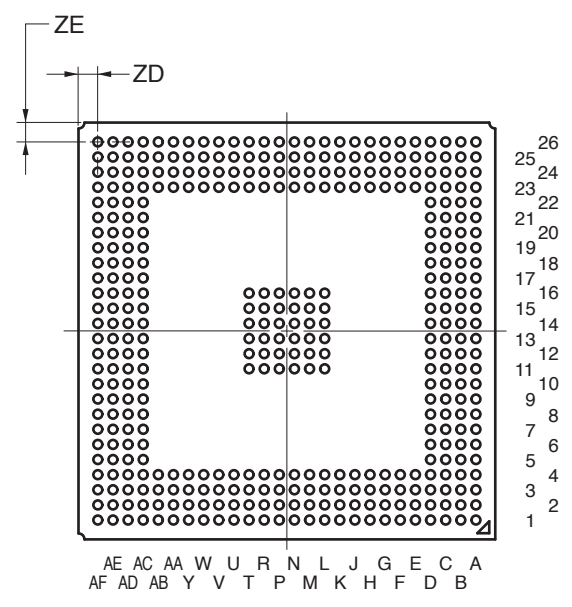


### 388-PIN PLASTIC BGA(HEAT SPREADER TYPE) (35x35)



HEAT SLUG  $\phi 23.00 \pm 0.5$

$\phi 0.30$	$\phi$	S	A	B
$\phi 0.50$	$\phi$	S	D	E



(UNIT:mm)

ITEM	DIMENSIONS
D	35.00±0.20
D1	30.00
E	35.00±0.20
E1	30.00
e	1.27
A	2.33±0.13
A1	0.60±0.10
A2	1.73
b	0.75±0.15
x1	0.30
x2	0.15
y	0.20
y1	0.35
ZD	1.625
ZE	1.625

P388F1-127-RNF-1