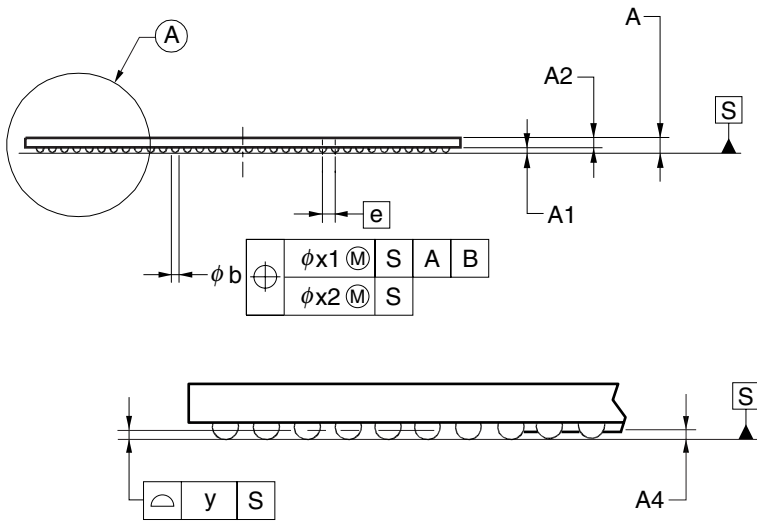
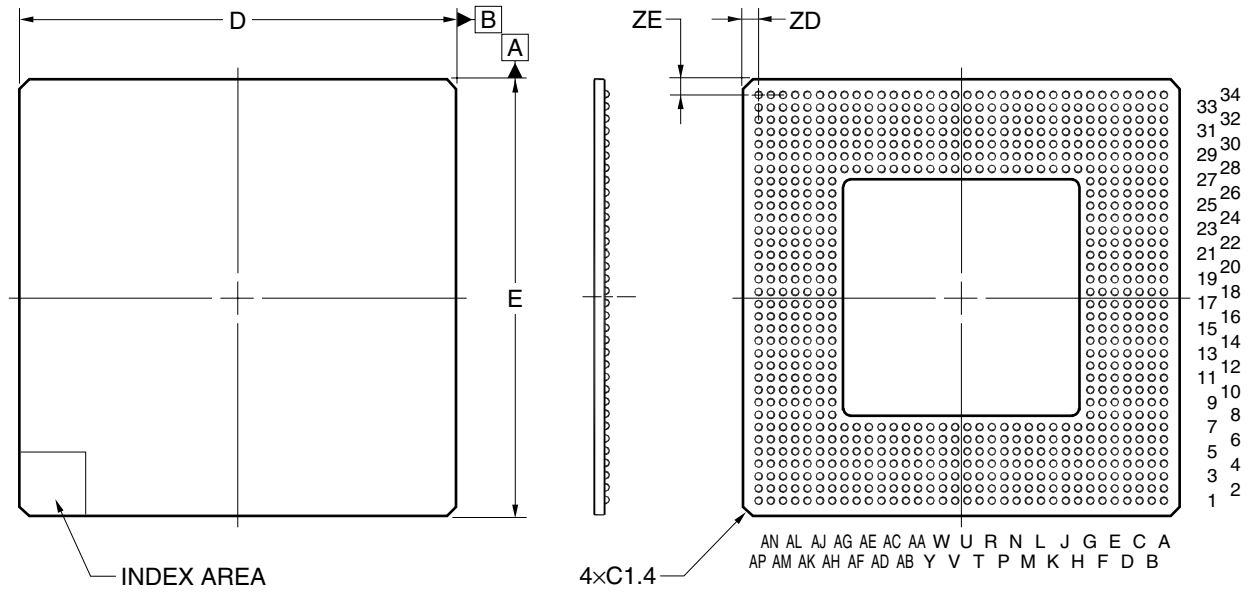


756-PIN PLASTIC BGA (CAVITY DOWN ADVANCED TYPE) (45x45)



DETAIL OF (A) PART

(UNIT:mm)

ITEM	DIMENSIONS
D	45.00±0.20
E	45.00±0.20
e	1.27
A	1.65±0.30
A1	0.60±0.10
A2	1.05
A4	0.25 MIN.
b	0.75±0.15
x1	0.30
x2	0.15
y	0.20
ZD	1.545
ZE	1.545

P756F2-127-WN8-1