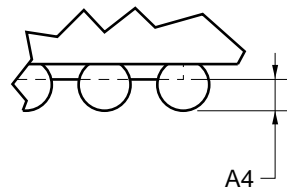
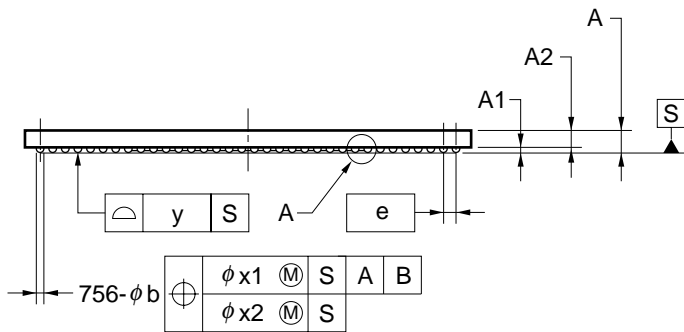
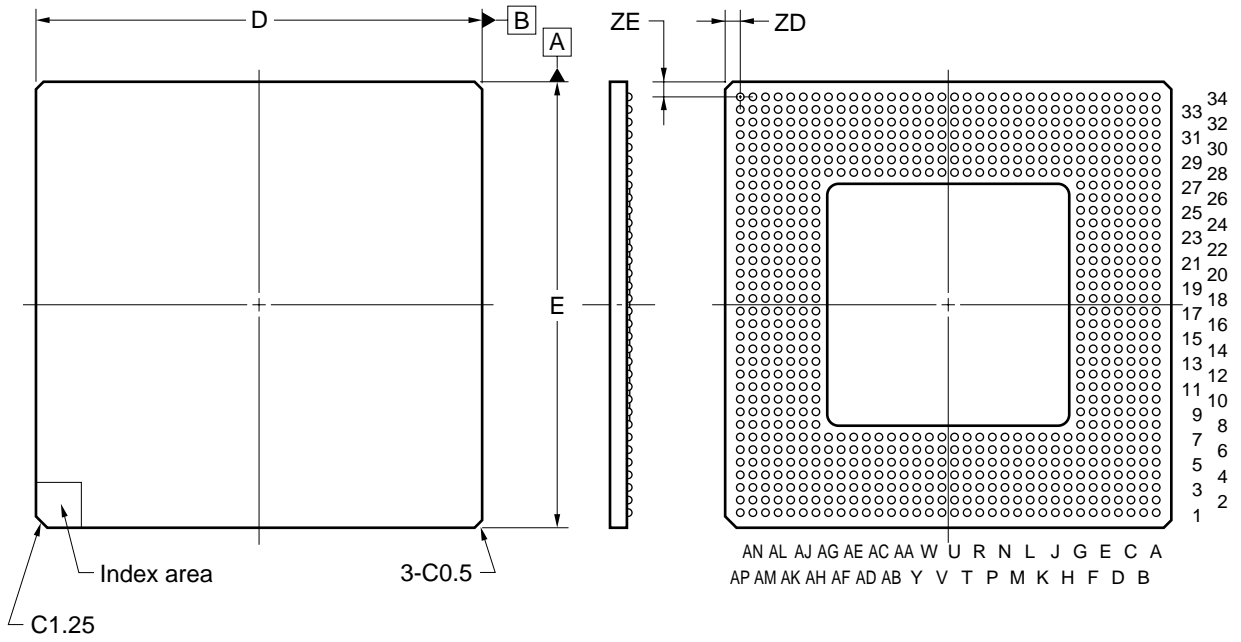


756-PIN PLASTIC BGA (CAVITY DOWN ADVANCED TYPE) (45x45)



detail of A part

ITEM	MILLIMETERS
D	45.00±0.20
E	45.00±0.20
[e]	1.27
A	2.50±0.30
A1	0.60±0.10
A2	1.90
A4	0.25 MIN.
b	0.75±0.15
x1	0.30
x2	0.15
y	0.20
ZD	1.545
ZE	1.545