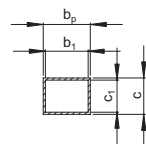
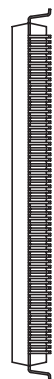
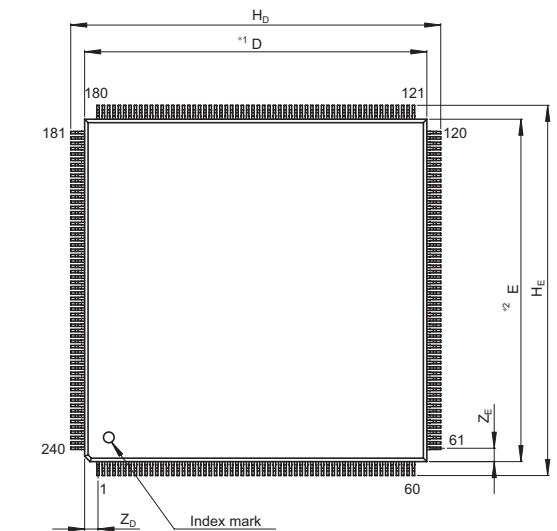
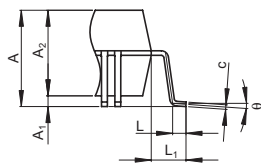


JEITA Package Code	RENESAS Code	Previous Code	MASS[Typ.]
P-HFQFP240-32x32-0.50	PRQP0240KC-B	FP-240B/FP-240BV	7.0g

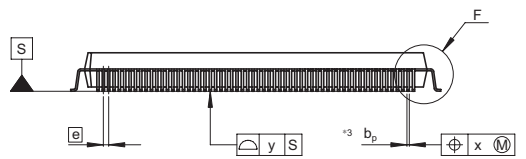


Terminal cross section



Detail F

- NOTE)  
 1. DIMENSIONS\*1\*AND\*2\*  
 DO NOT INCLUDE MOLD FLASH  
 2. DIMENSION\*3\*DOES NOT  
 INCLUDE TRIM OFFSET.



Reference Symbol	Dimension in Millimeters		
	Min	Nom	Max
D	—	32	—
E	—	32	—
A <sub>2</sub>	—	3.20	—
H <sub>D</sub>	34.4	34.6	34.8
H <sub>E</sub>	34.4	34.6	34.8
A	—	—	3.95
A <sub>1</sub>	0.25	0.40	0.50
b <sub>p</sub>	0.17	0.22	0.27
b <sub>1</sub>	—	0.20	—
c	0.12	0.17	0.22
c <sub>1</sub>	—	0.15	—
$\theta$	0°	—	8°
e	—	0.5	—
x	—	—	0.10
y	—	—	0.10
Z <sub>D</sub>	—	1.25	—
Z <sub>E</sub>	—	1.25	—
L	0.3	0.5	0.7
L <sub>1</sub>	—	1.3	—