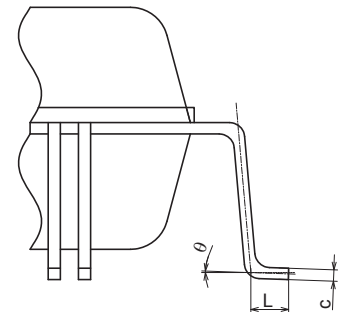
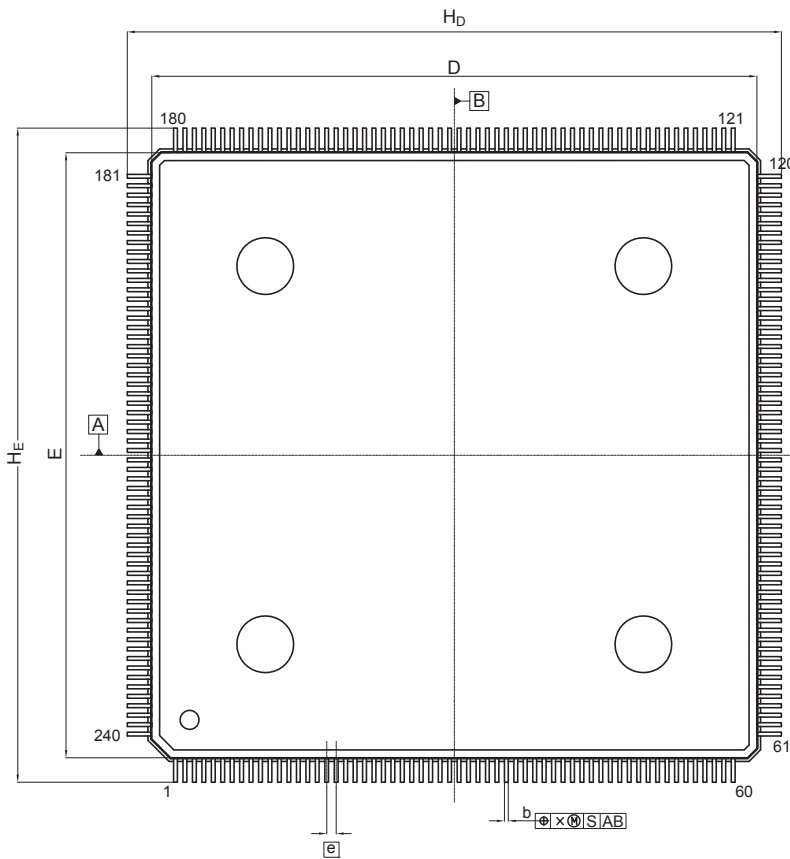
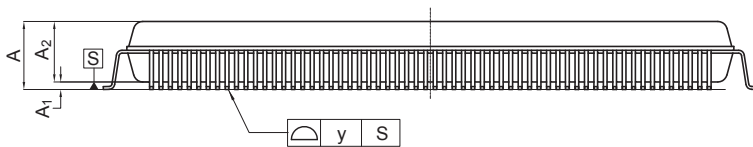


<b>JEITA Package Code</b>	<b>RENESAS Code</b>	<b>Previous Code</b>	<b>MASS (Typ) [g]</b>
P-QFP240-32x32-0.50	PRQP0240KE-A	—	—

Unit: mm



Detail of Lead End



Reference Symbol	Dimensions in millimeters		
	Min	Nom	Max
D	—	32.0	—
E	—	32.0	—
HD	34.4	34.6	34.8
HE	34.4	34.6	34.8
A	—	—	3.95
A1	0.25	0.40	0.50
A2	—	3.20	—
b	0.17	0.22	0.27
c	0.12	0.17	0.22
L	0.30	0.50	0.70
$\theta$	0°	—	8°
e	—	0.50	—
x	—	—	0.10
y	—	—	0.10