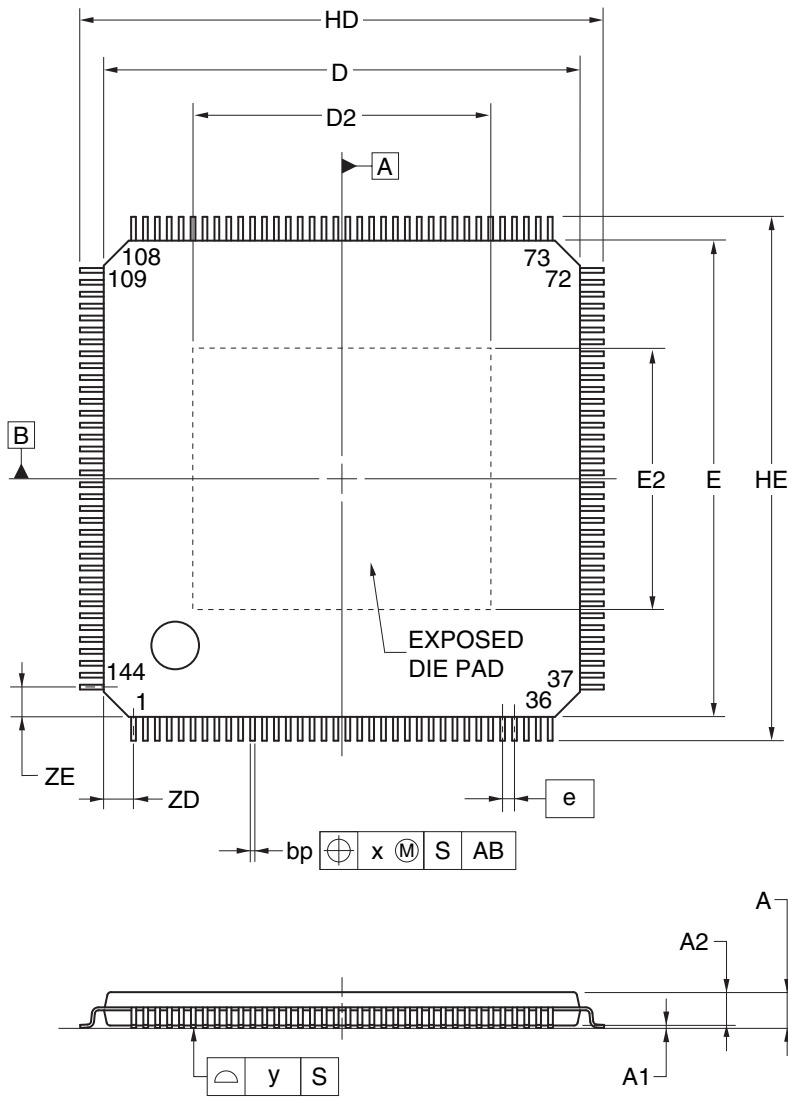
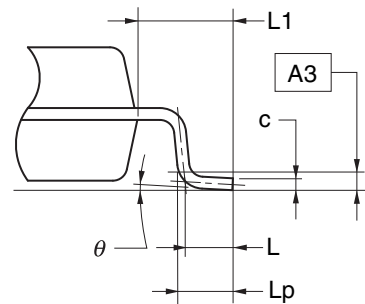


JEITA Package Code	RENESAS Code	Previous Code	MASS (TYP.) [g]
P-HLFQFP144-20x20-0.50	PLQP0144KE-B	T144GJ-50B-GBG-1	1.4



detail of lead end



Reference Symbol	Dimension in Millimeters		
	Min	Nom	Max
D	19.80	20.00	20.20
E	19.80	20.00	20.20
HD	21.80	22.00	22.20
HE	21.80	22.00	22.20
D2	—	12.50	—
E2	—	11.00	—
A	—	—	1.60
A1	0.05	0.10	0.15
A2	1.35	1.40	1.45
A3	—	0.25	—
bp	0.17	0.20	0.27
c	0.10	0.125	0.20
L	—	0.50	—
Lp	0.45	0.60	0.75
L1	0.80	1.00	1.20
θ	0°	3°	8°
e	—	0.50	—
x	—	—	0.08
y	—	—	0.08
ZD	—	1.25	—
ZE	—	1.25	—