

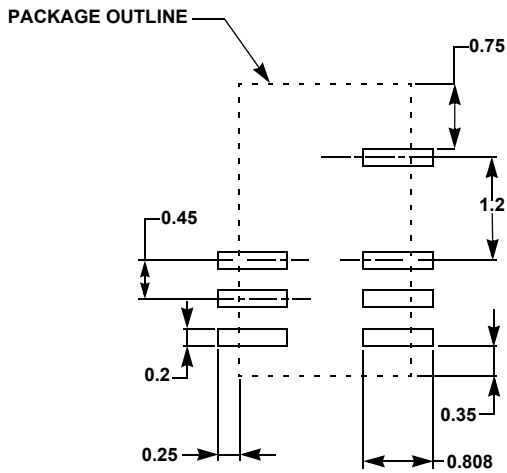
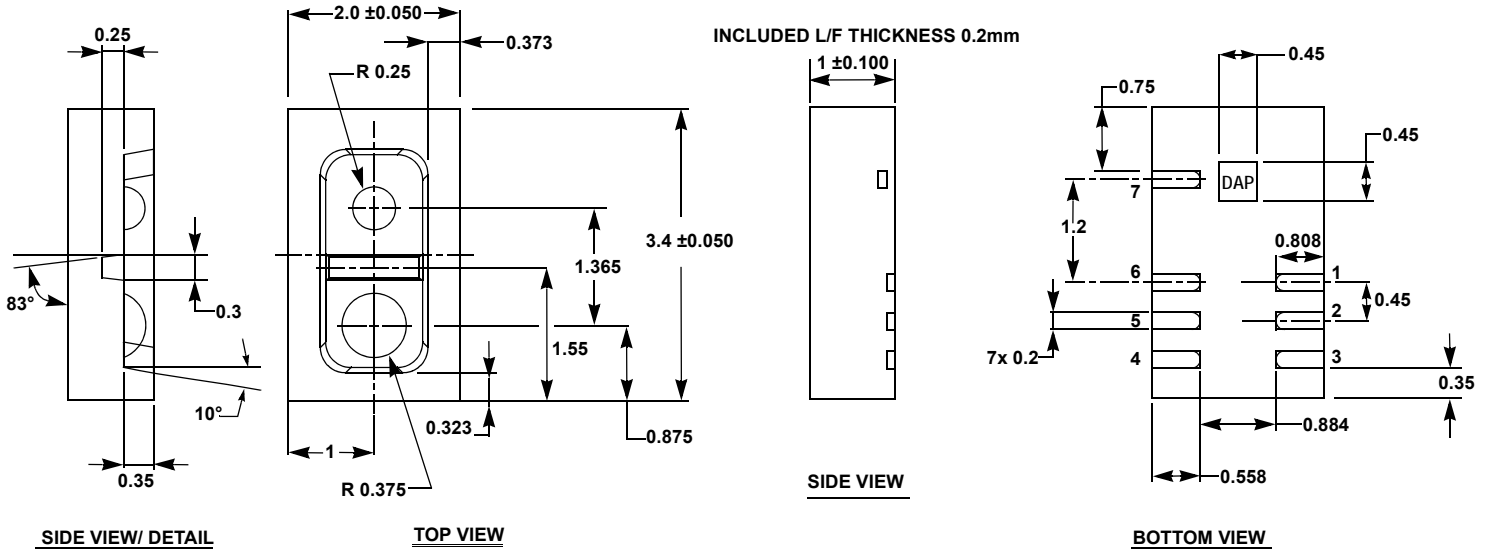
# Plastic Packages for Integrated Circuits

## Package Outline Drawing

L7.2.0x3.4

7 LEAD OPTICAL CO-PACKAGE

Rev 0, 5/14



### NOTES:

1. Dimensions are in millimeters.  
Dimensions in ( ) for Reference Only.
2. Dimensioning and tolerancing conform to ASME Y14.5m-1994.
3. Unless otherwise specified, tolerance : Decimal  $\pm 0.05$
4. Pin #1 identifier is a feature on the bottom surface.
5. No routing allowed underneath the die attach paddle (DAP) area.