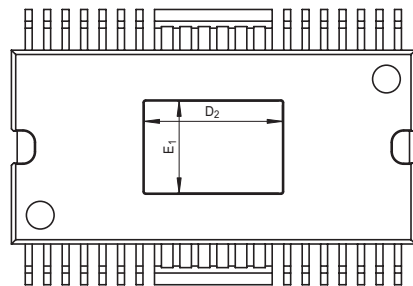
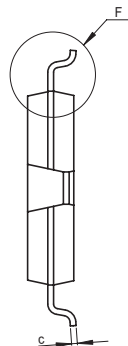
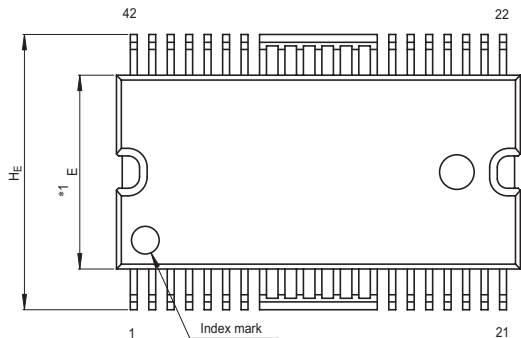


JEITA Package Code
P-HSSOP42-8.4x17.5-0.80

RENESAS Code
PRSP0042GB-A

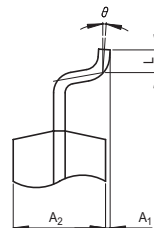
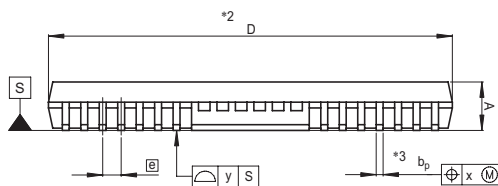
Previous Code
42P9R-A

MASS[Typ.]
0.7g



NOTE)

1. DIMENSIONS "**1" AND "**2" DO NOT INCLUDE MOLD FLASH.
2. DIMENSION "**3" DOES NOT INCLUDE TRIM OFFSET.



Detail F

Reference Symbol	Dimension in Millimeters		
	Min	Nom	Max
D	17.3	17.5	17.7
E	8.2	8.4	8.6
A ₂	—	2.0	—
A	—	—	2.2
A ₁	0	0.1	0.2
b _p	0.27	0.32	0.37
c	0.23	0.25	0.3
θ	0°	—	10°
H _E	11.63	11.93	12.23
Ⓢ	—	0.8	—
x	—	—	0.12
y	—	—	0.10
L	0.3	0.5	0.7
D ₂	5.8	6.0	6.2
E ₁	3.8	4.0	4.2