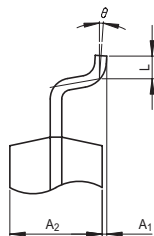
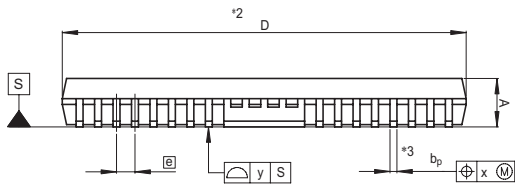
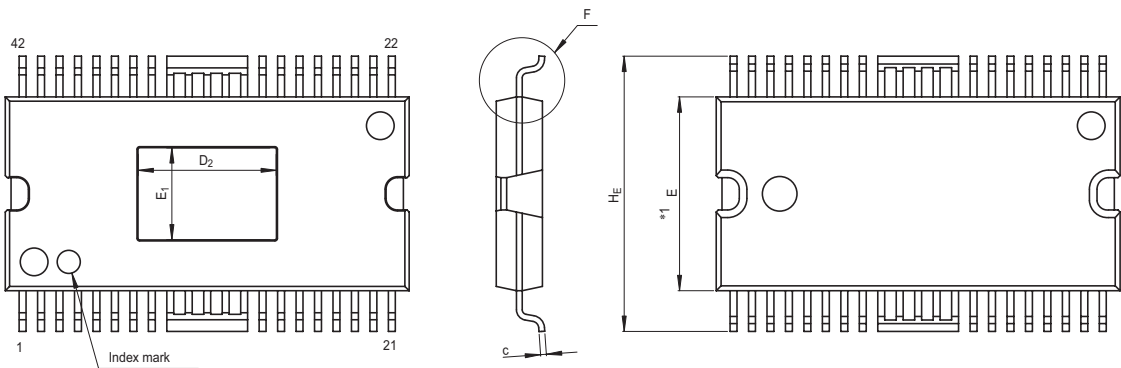


JEITA Package Code	RENESAS Code	Previous Code	MASS[Typ.]
P-HSSOP42-8.4x17.5-0.80	PRSP0042GB-F	42P9R-F	0.7g



Detail F

NOTE)  
 1. DIMENSIONS \*1\* AND \*2\* DO NOT INCLUDE MOLD FLASH.  
 2. DIMENSION \*3\* DOES NOT INCLUDE TRIM OFFSET.

Reference Symbol	Dimension in Millimeters		
	Min	Nom	Max
D	17.3	17.5	17.7
E	8.2	8.4	8.6
A <sub>2</sub>	—	2.0	—
A	—	—	2.2
A <sub>1</sub>	0	0.1	0.2
b <sub>p</sub>	0.27	0.32	0.37
c	0.23	0.25	0.3
θ	0°	—	10°
H <sub>E</sub>	11.63	11.93	12.23
g	—	0.8	—
x	—	—	0.12
y	—	—	0.10
L	0.3	0.5	0.7
D <sub>2</sub>	5.8	6.0	6.2
E <sub>1</sub>	3.8	4.0	4.2