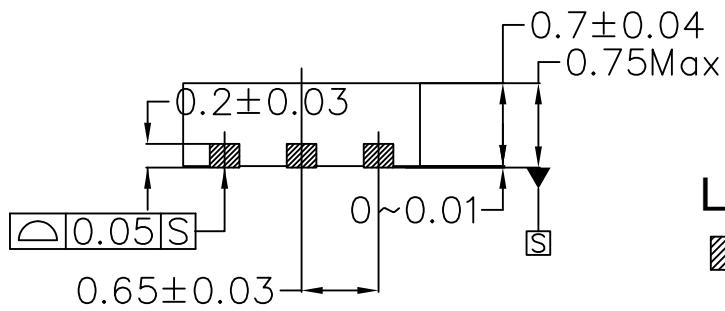
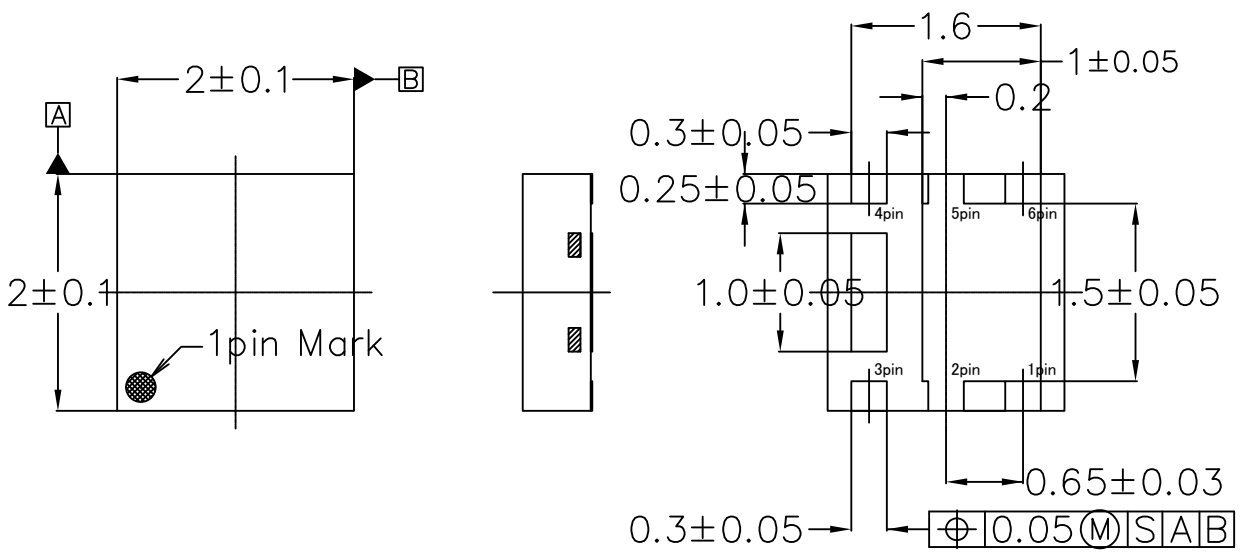


JEITA Package Code	Renesas Code	Previous Code	Mass(TYP.)[g]
-	PWSN0006JD-B	P6E1-65A-962	0.0082



Lead-surface is gold plating.

▨ : Cu bare