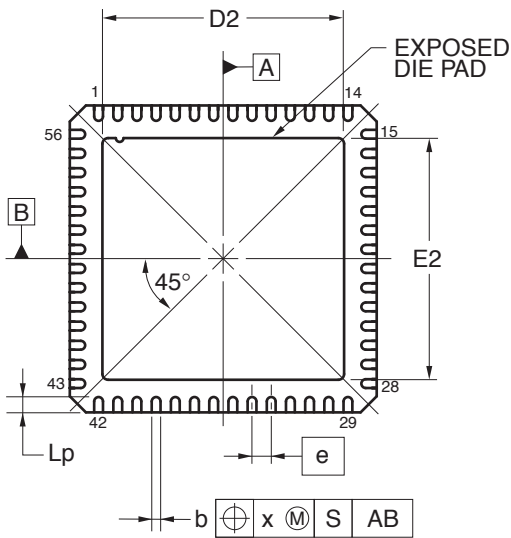
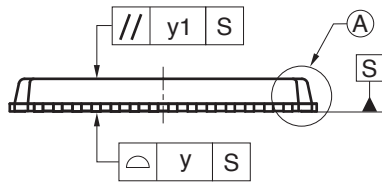
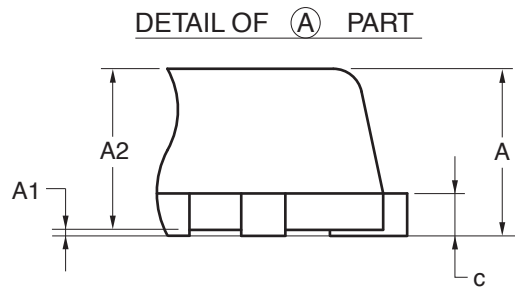
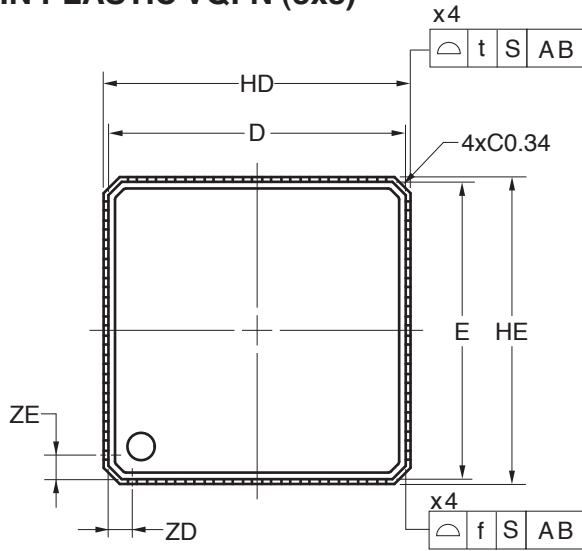


# 56-PIN PLASTIC VQFN (8x8)



DIE PAD VARIATION

No.	E2	D2
1	4.30	4.30
2	4.50	5.20
3	5.30	5.30
4	5.70	5.70
5	6.10	6.10
6	6.30	6.30
7	6.50	6.50

(UNIT:mm)

ITEM	DIMENSIONS
D	7.75±0.10
E	7.75±0.10
HD	8.00±0.10
HE	8.00±0.10
A	0.85±0.05
A1	0.01 <sup>+0.04</sup> <sub>-0.01</sub>
A2	0.84
b	0.23 <sup>+0.07</sup> <sub>-0.05</sub>
c	0.20
e	0.50
f	0.10
Lp	0.40±0.10
t	0.10
x	0.10
y	0.08
y1	0.10
ZD	0.625
ZE	0.625

P56K9-50-9E4-1