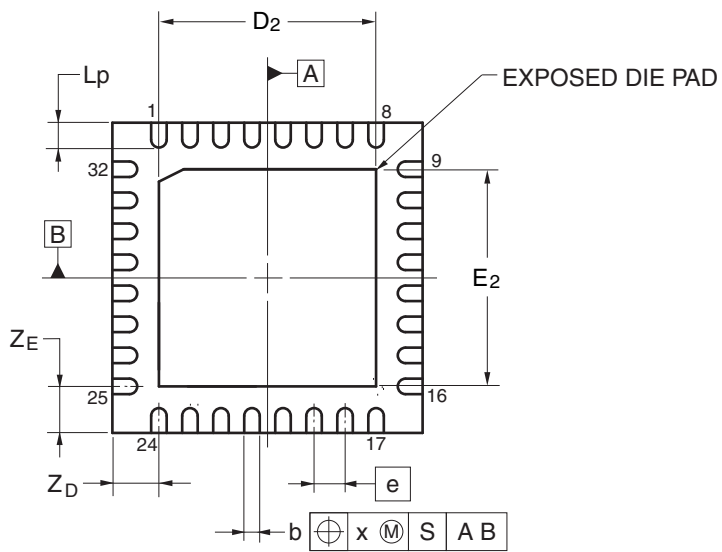
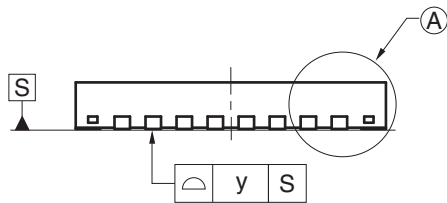
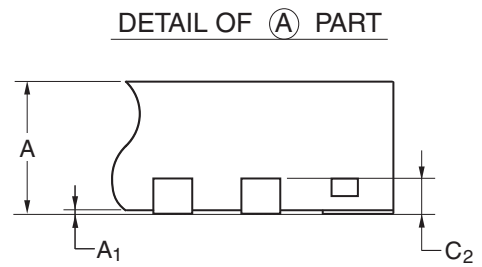
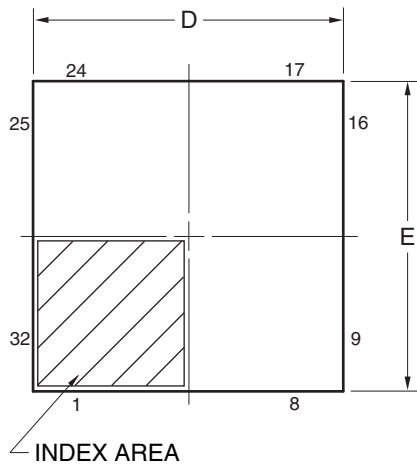
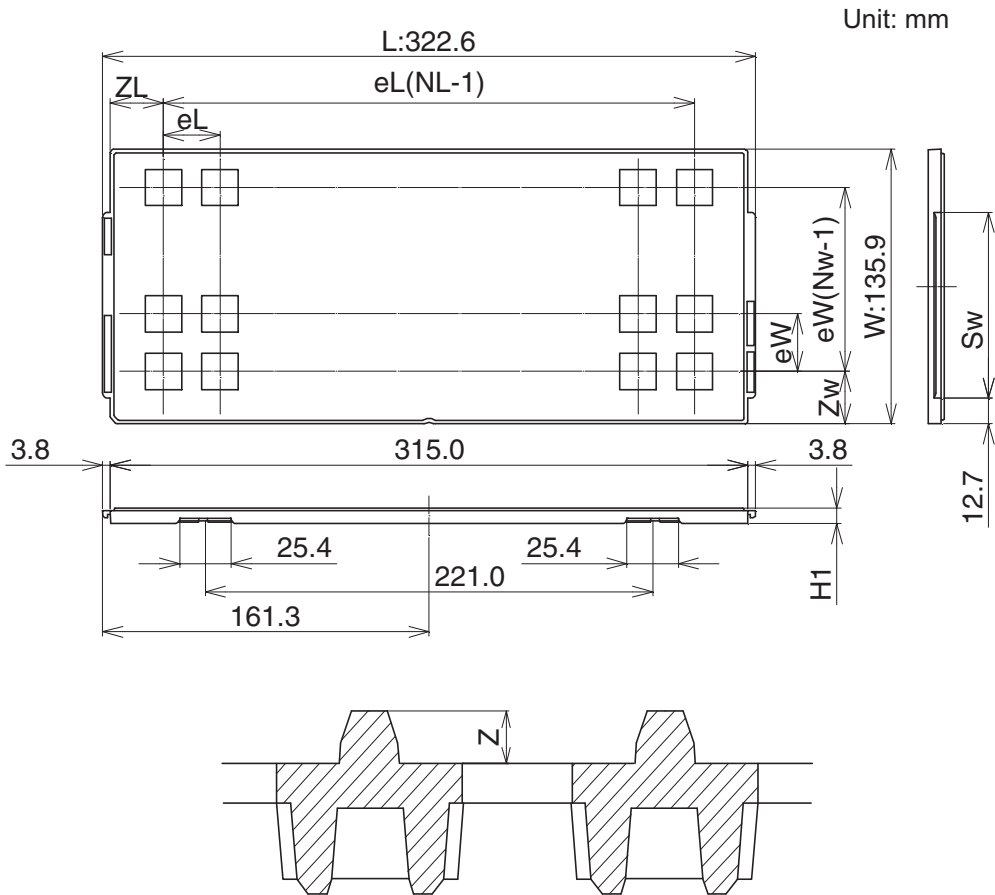


JEITA Package code	RENESAS code	Previous code	MASS(TYP.)[g]
P-HWQFN32-5x5-0.50	PWQN0032KB-A	P32K8-50-3B4-5	0.06

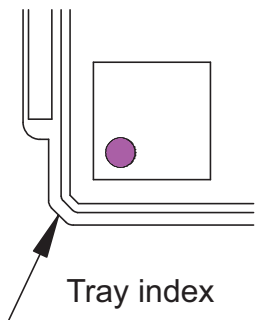


Reference Symbol	Dimension in Millimeters		
	Min	Nom	Max
D	4.95	5.00	5.05
E	4.95	5.00	5.05
A	—	—	0.80
A ₁	0.00	—	—
b	0.18	0.25	0.30
e	—	0.50	—
L _p	0.30	0.40	0.50
x	—	—	0.05
y	—	—	0.05
Z _D	—	0.75	—
Z _E	—	0.75	—
c ₂	0.15	0.20	0.25
D ₂	—	3.50	—
E ₂	—	3.50	—

**Packing Specification
Tray Outline Drawing
Rev.B EAM050503-10**



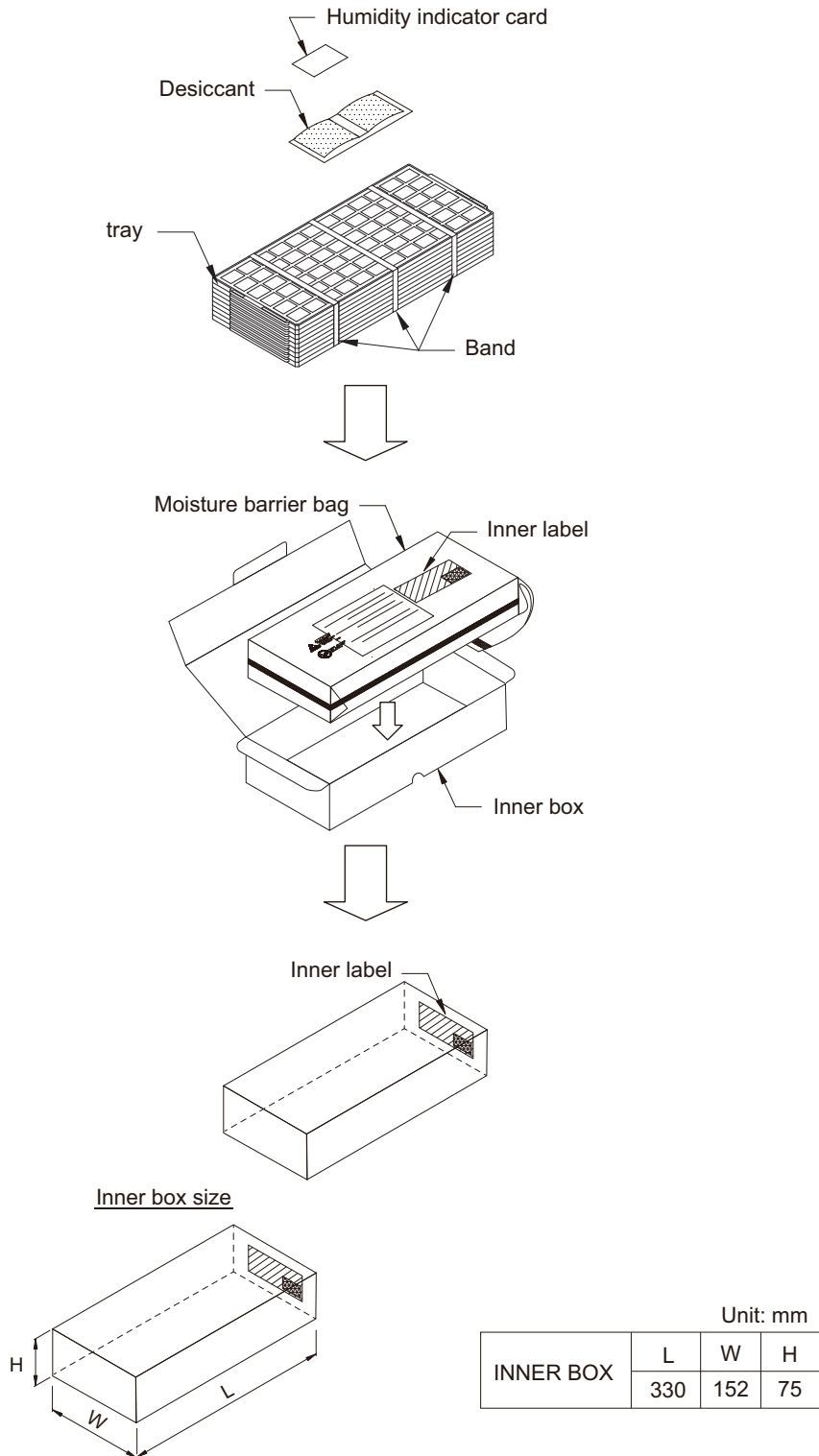
The pin1 is located in the hatching portion.



Tray Code		Rev.B EAM050503-10
Position dimension of cells	Z	1.50
	Zw	8.15
	ZL	7.90
	eW	9.20
	eL	8.80
	Sw	92.1
Thickness (mm)	H1	7.62
Number of cells	Nw	14
	NL	35
Maximum storage pcs. IC/Tray		490
Maximum storage pcs. IC/Inner box		3920
Material		Carbon PPE
Heat resistant temperature		135°C MAX
JEDEC or Custom		JEDEC
Surface resistance		Less than $1 \times 10^{11} \Omega/\square$

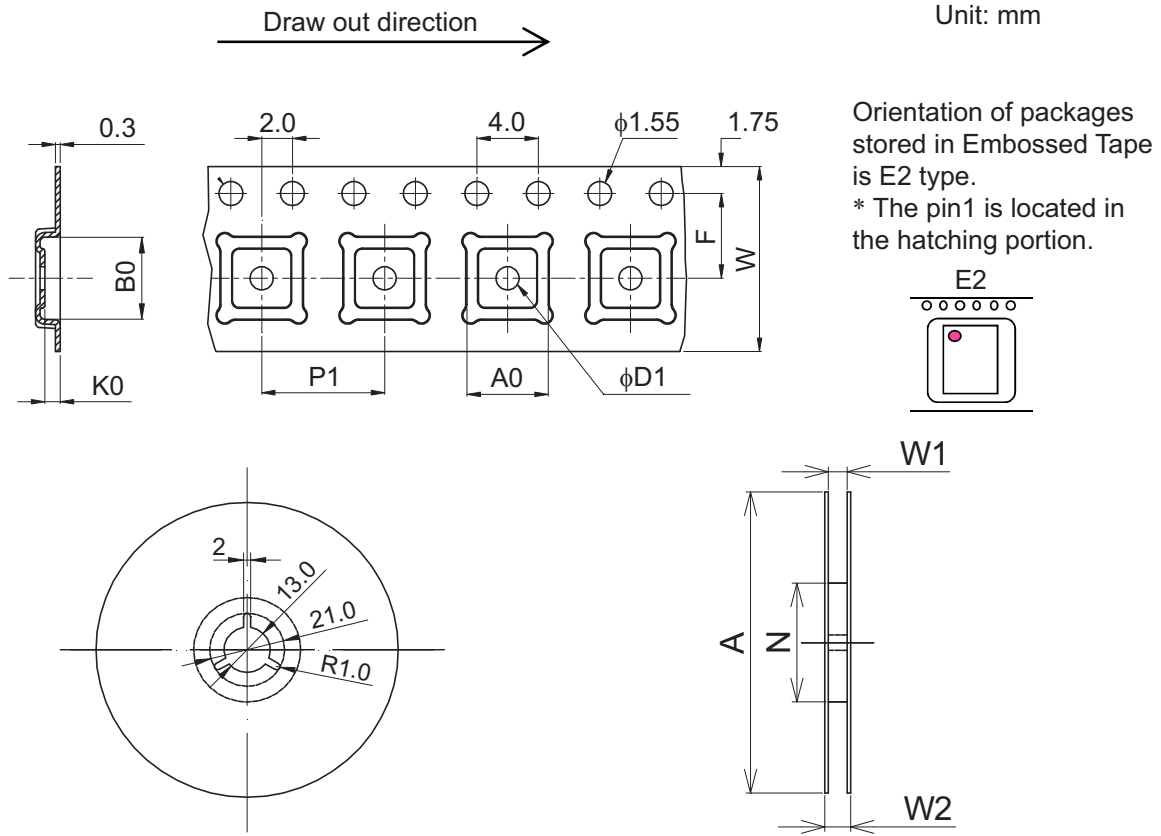
RDK-H-000928

Packing Specification
Tray Packing
(Tray dry pack)



H-000531

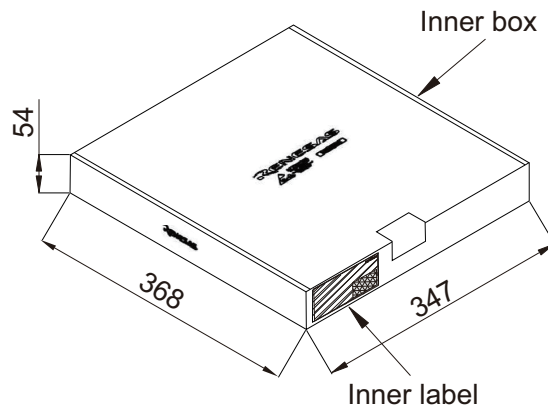
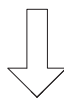
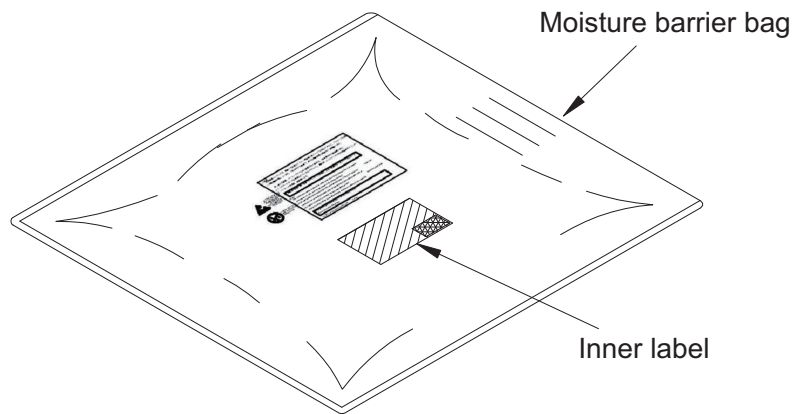
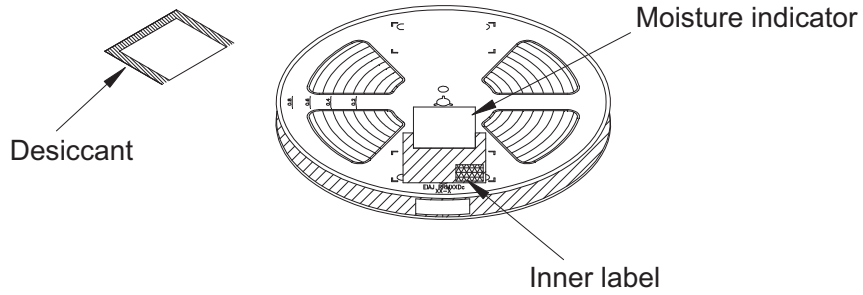
Packing Specification
Tape & Reel Outline Drawing
E12 * 08-B8CA



Tape Code		E12 * 08-B8CA
Tape Dimensions (mm)	W	12.0
	P1	8.0
	A0	5.3
	B0	5.3
	K0	1.0
	F	5.5
	D1	1.5
Reel Dimensions (mm)	A	330
	N	100
	W1	13.5
	W2	17.5
Maximum storage Pcs. IC/ Reel		2500
Material		Carbon PS
Surface resistance		Less than $1 \times 10^{11} \Omega/\square$

RDK-H-000762

**Packing Specification
Tape & Reel Packing
(Tape dry pack)**



RDK-H-000152

© 2017 Renesas Electronics Corporation. All rights reserved.