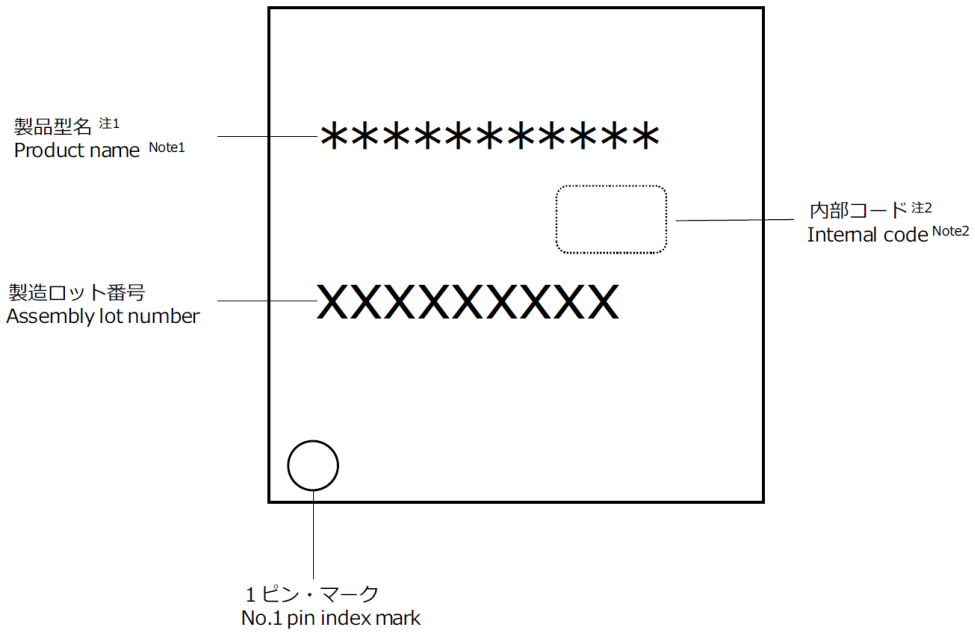
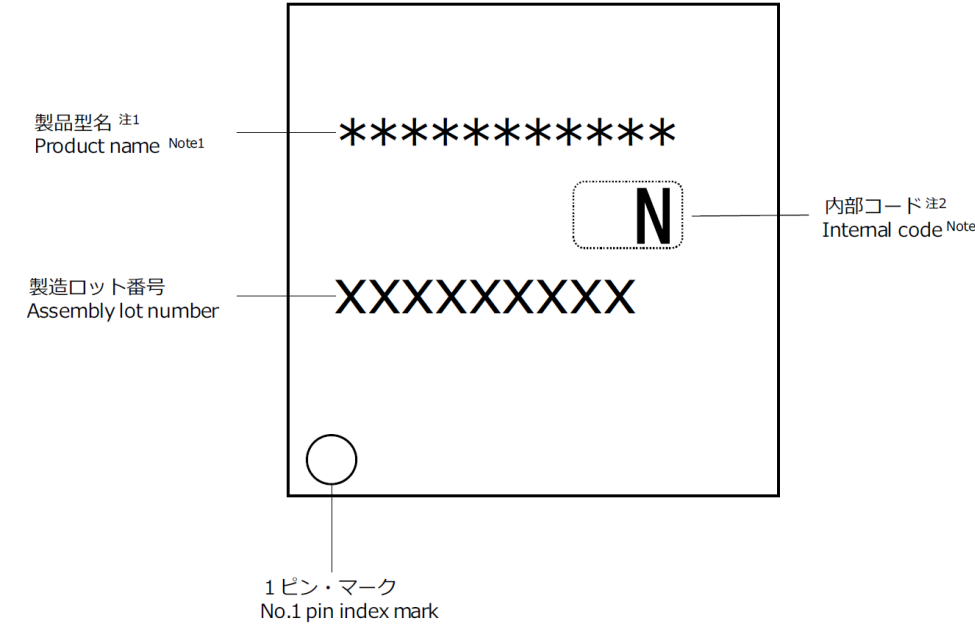
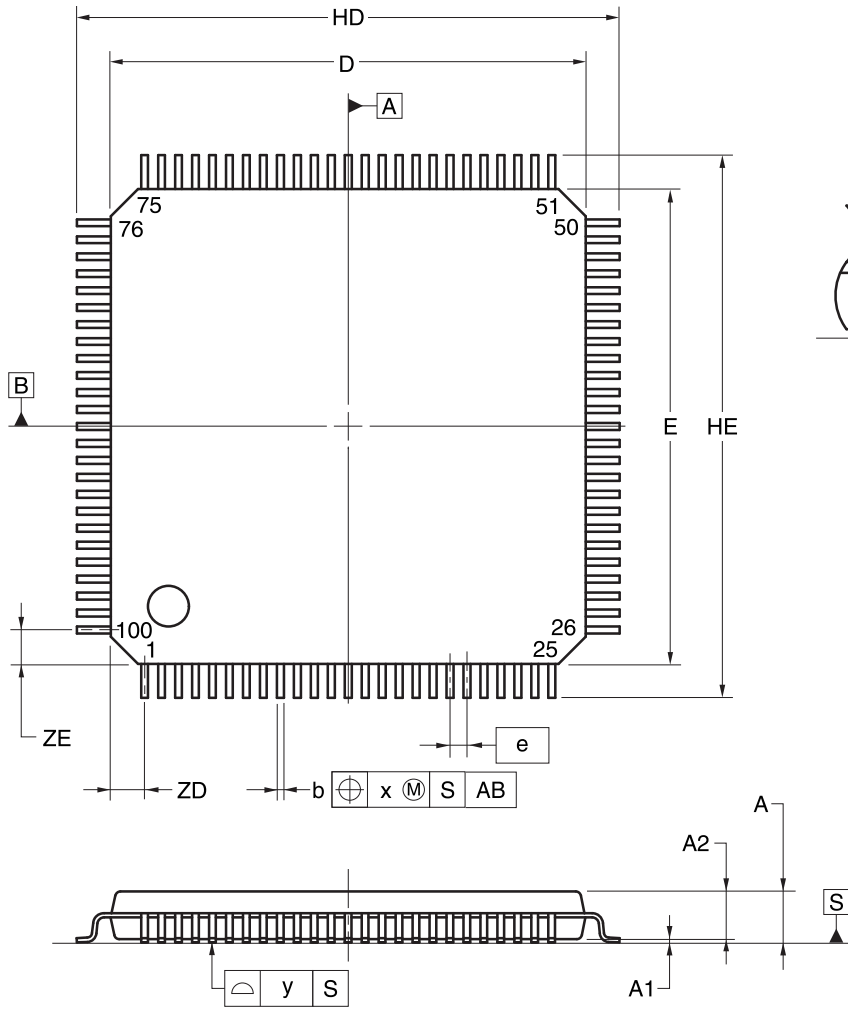


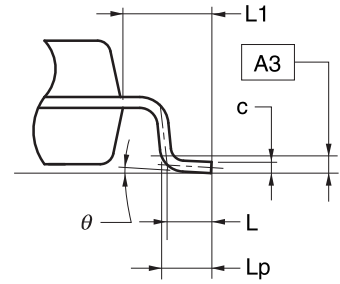
捺印、外形図紐づけ資料

 <p>製品型名 注1 Product name Note1</p> <p>*****</p> <p>内部コード 注2 Internal code Note2</p> <p>製造ロット番号 Assembly lot number</p> <p>XXXXXXXXXX</p> <p>1ピン・マーク No.1 pin index mark</p>	 <p>製品型名 注1 Product name Note1</p> <p>*****</p> <p>内部コード 注2 Internal code Note2</p> <p>製造ロット番号 Assembly lot number</p> <p>XXXXXXXXXX</p> <p>1ピン・マーク No.1 pin index mark</p>
<p>RENESAS Code : PLQP0100KE-A</p>	<p>RENESAS Code : PLQP0100KB-A</p>

JEITA Package Code	RENESAS Code	Previous Code	MASS (TYP.) [g]
P-LFQFP100-14x14-0.50	PLQP0100KE-A	P100GC-50-GBR-1	0.69



detail of lead end



(UNIT:mm)

ITEM	DIMENSIONS
D	14.00±0.20
E	14.00±0.20
HD	16.00±0.20
HE	16.00±0.20
A	1.60 MAX.
A1	0.10±0.05
A2	1.40±0.05
A3	0.25
b	0.22±0.05
c	0.145 ^{+0.055} _{-0.045}
L	0.50
Lp	0.60±0.15
L1	1.00±0.20
θ	3° + 5° - 3°
e	0.50
x	0.08
y	0.08
ZD	1.00
ZE	1.00

JEITA Package Code

RENESAS Code

Previous Code

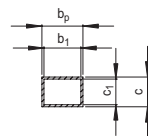
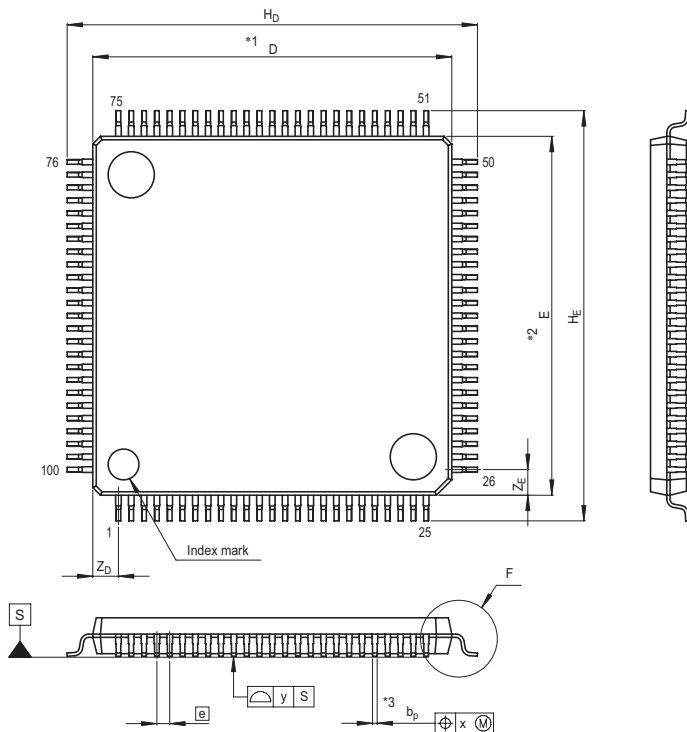
MASS[Typ.]

P-LFQFP100-14x14-0.50

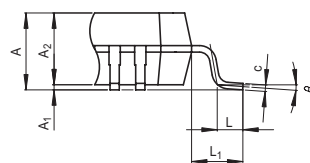
PLQP0100KB-A

100P6Q-A / FP-100U / FP-100UV

0.6g



Terminal cross section



Detail F

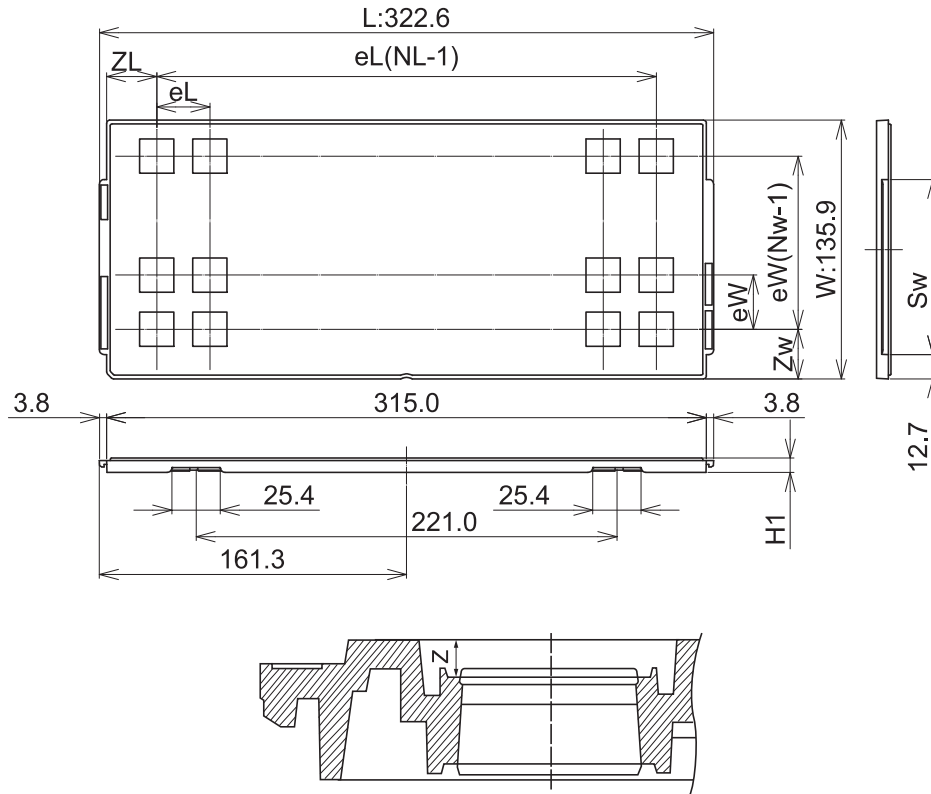
NOTE)

1. DIMENSIONS **1* AND **2* DO NOT INCLUDE MOLD FLASH.
2. DIMENSION **3* DOES NOT INCLUDE TRIM OFFSET.

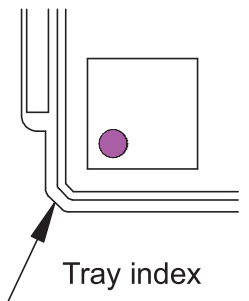
Reference Symbol	Dimension in Millimeters		
	Min	Nom	Max
D	13.9	14.0	14.1
E	13.9	14.0	14.1
A ₂	—	1.4	—
H _D	15.8	16.0	16.2
H _E	15.8	16.0	16.2
A	—	—	1.7
A ₁	0.05	0.1	0.15
b _D	0.15	0.20	0.25
b ₁	—	0.18	—
c	0.09	0.145	0.20
c ₁	—	0.125	—
θ	0°	—	8°
⓪	—	0.5	—
x	—	—	0.08
y	—	—	0.08
Z _D	—	1.0	—
Z _E	—	1.0	—
L	0.35	0.5	0.65
L ₁	—	1.0	—

Packing Specification
Tray Outline Drawing
TQFP14x14x1.4

Unit: mm



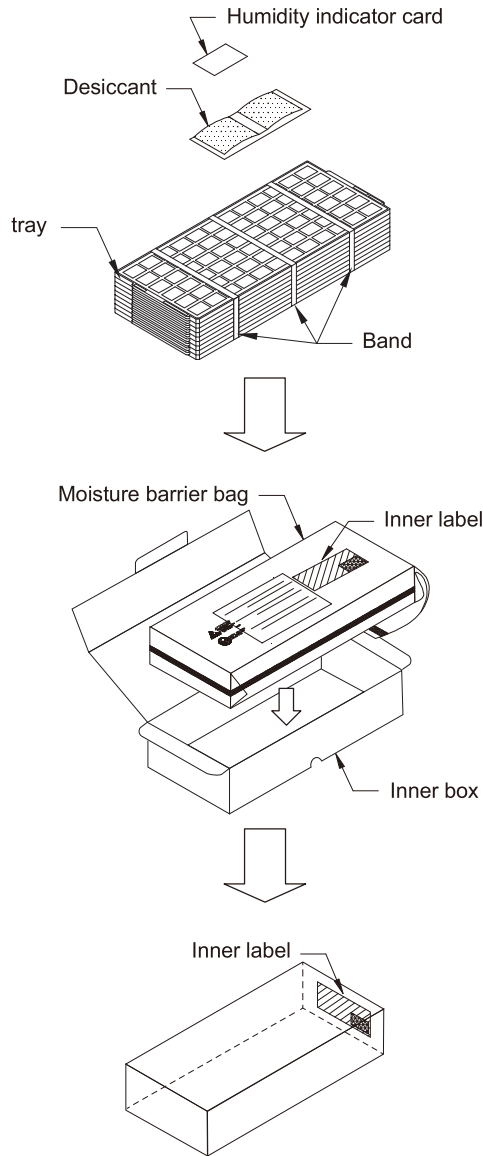
The pin1 is located in the hatching portion.



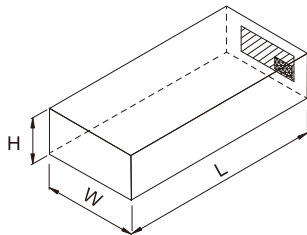
Tray Code		TQFP14x14x1.4
Position dimension of cells	Z	2.0
	Zw	15.45
	ZL	15.4
	eW	21.0
	eL	20.3
	Sw	92.1
Thickness (mm)	H1	7.62
Number of cells	Nw	6
	NL	15
Maximum storage pcs. IC/Tray		90
Maximum storage pcs. IC/Inner box		720
Material		Carbon PPE
Heat resistant temperature		135°C MAX
JEDEC or Custom		JEDEC
Surface resistance		Less than $1 \times 10^{11} \Omega/\square$

RDK-H-000860

Packing Specification
Tray Packing
(Tray dry pack)



Inner box size



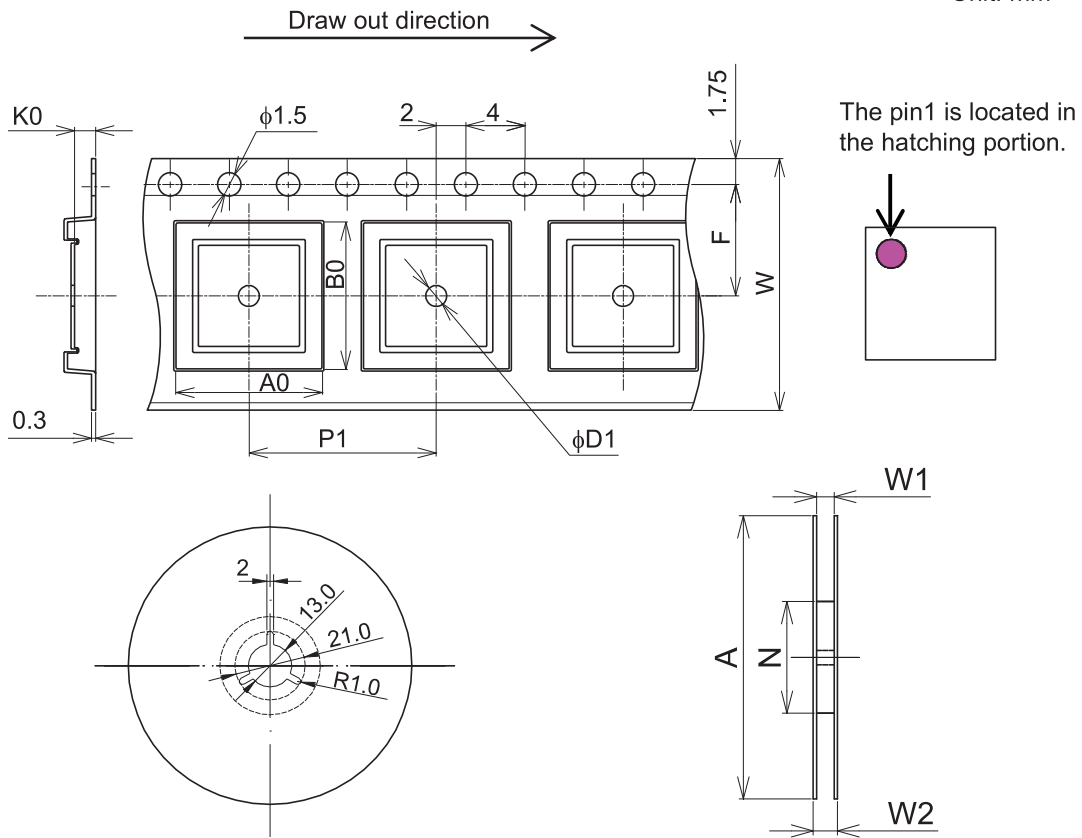
Unit: mm

INNER BOX	L	W	H
	330	152	75

H-000531

Packing Specification
Tape & Reel Outline Drawing
E2424Q14RA

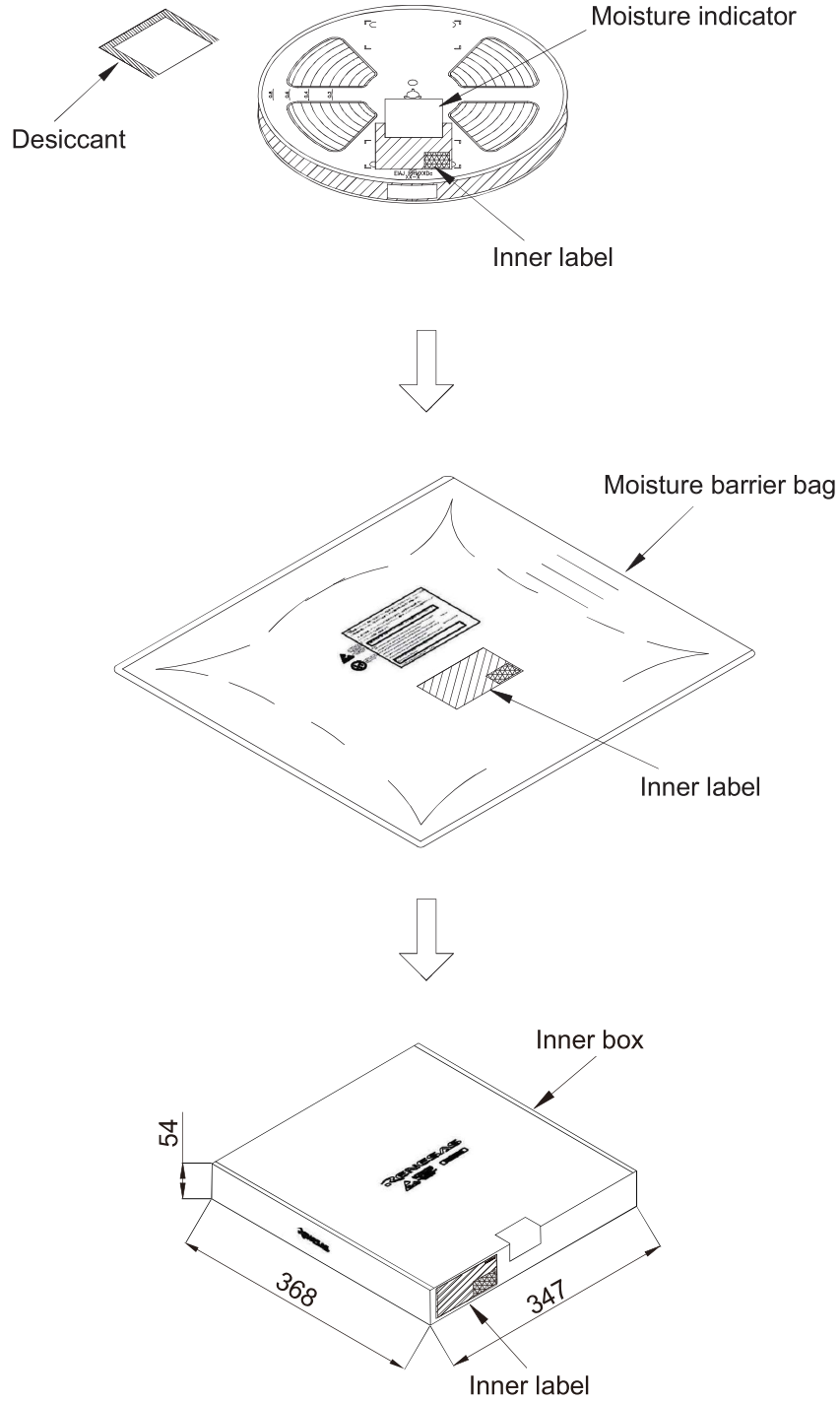
Unit: mm



Tape Code		E2424Q14RA
Tape Dimensions (mm)	W	24.0
	P1	20.0
	A0	16.5
	B0	16.5
	K0	1.4
	F	11.50
	D1	2.0
Reel Dimensions (mm)	A	330
	N	100
	W1	25.4
	W2	29.4
Maximum storage Pcs. IC/ Reel		1000
Material		Carbon PS
Surface resistance		Less than $1 \times 10^{11} \Omega/\square$

H-001575

Packing Specification
Tape & Reel Packing
(Tape dry pack)



RDH-H-000152

© 2017 Renesas Electronics Corporation. All rights reserved.