

JEITA Package Code

RENESAS Code

Previous Code

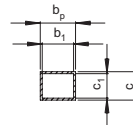
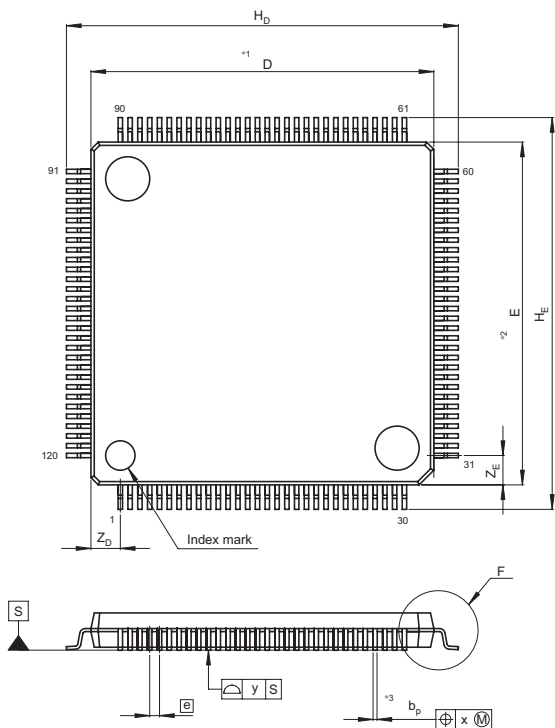
MASS[Typ.]

P-LFQFP120-14x14-0.40

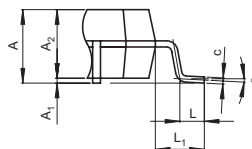
PLQP0120LA-A

120P6R-A/FP-120B/FP-120BV

0.7g



Terminal cross section



Detail F

## NOTE)

1. DIMENSIONS \*\*1" AND \*\*2" DO NOT INCLUDE MOLD FLASH.
2. DIMENSION \*\*3" DOES NOT INCLUDE TRIM OFFSET.

| Reference Symbol | Dimension in Millimeters |       |      |
|------------------|--------------------------|-------|------|
|                  | Min                      | Nom   | Max  |
| D                | 13.9                     | 14.0  | 14.1 |
| E                | 13.9                     | 14.0  | 14.1 |
| A <sub>2</sub>   | —                        | 1.4   | —    |
| H <sub>D</sub>   | 15.8                     | 16.0  | 16.2 |
| H <sub>E</sub>   | 15.8                     | 16.0  | 16.2 |
| A                | —                        | —     | 1.7  |
| A <sub>1</sub>   | 0.05                     | 0.1   | 0.15 |
| b <sub>p</sub>   | 0.13                     | 0.18  | 0.23 |
| b <sub>1</sub>   | —                        | 0.16  | —    |
| c                | 0.09                     | 0.145 | 0.20 |
| c <sub>1</sub>   | —                        | 0.125 | —    |
| θ                | 0°                       | —     | 8°   |
| Ⓢ                | —                        | 0.4   | —    |
| x                | —                        | —     | 0.07 |
| y                | —                        | —     | 0.08 |
| Z <sub>D</sub>   | —                        | 1.2   | —    |
| Z <sub>E</sub>   | —                        | 1.2   | —    |
| L                | 0.35                     | 0.5   | 0.65 |
| L <sub>1</sub>   | —                        | 1.0   | —    |