

JEITA Package Code

RENESAS Code

Previous Code

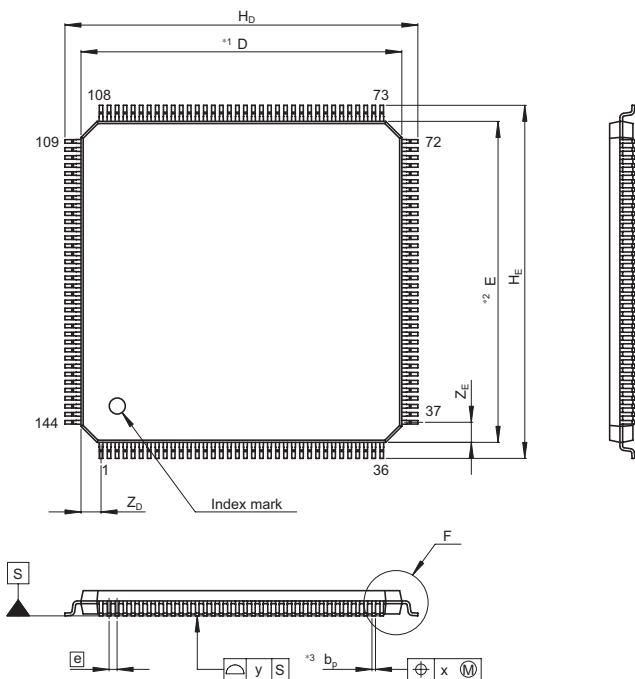
MASS[Typ.]

P-LFQFP144-20x20-0.50

PLQP0144KC-A

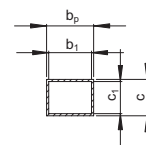
FP-144H/FP-144HV

1.4g

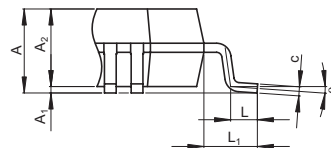


NOTE)

1. DIMENSIONS *1 AND *2 DO NOT INCLUDE MOLD FLASH
2. DIMENSION *3 DOES NOT INCLUDE TRIM OFFSET.



Terminal cross section



Detail F

Reference Symbol	Dimension in Millimeters		
	Min	Nom	Max
D	—	20	—
E	—	20	—
A ₂	—	1.45	—
H _D	21.7	22.0	22.3
H _E	21.7	22.0	22.3
A	—	—	1.70
A ₁	0.04	0.12	0.20
b _p	0.17	0.22	0.27
b ₁	—	0.20	—
c	0.12	0.17	0.22
c ₁	—	0.15	—
θ	0°	—	8°
θ	—	0.5	—
x	—	—	0.08
y	—	—	0.10
Z _D	—	1.25	—
Z _E	—	1.25	—
L	0.4	0.5	0.6
L ₁	—	1.0	—