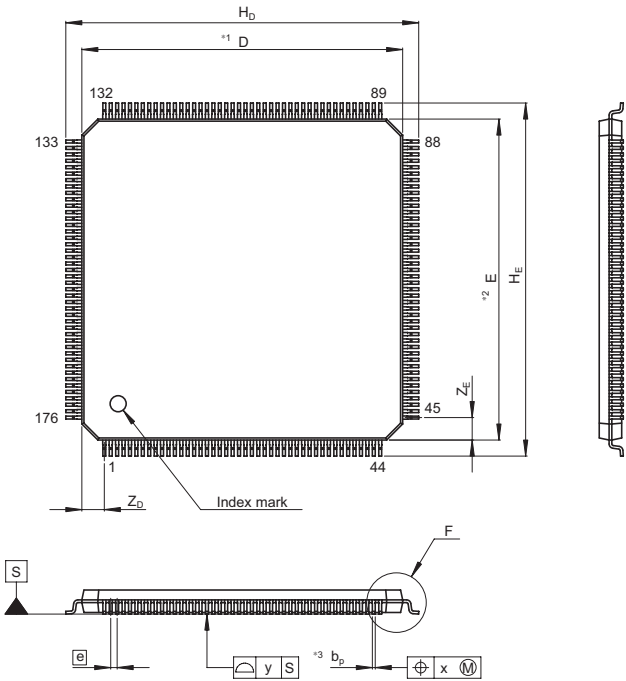
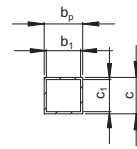


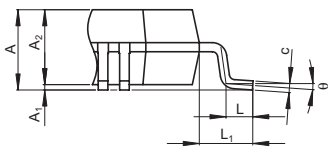
JEITA Package Code	RENESAS Code	Previous Code	MASS[Typ.]
P-LFQFP176-20x20-0.40	PLQP0176LB-A	FP-176A/FP-176AV	1.4g



NOTE)  
 1. DIMENSIONS\*1\*AND\*2\*  
 DO NOT INCLUDE MOLD FLASH  
 2. DIMENSION\*3\*DOES NOT  
 INCLUDE TRIM OFFSET.



Terminal cross section



Detail F

Reference Symbol	Dimension in Millimeters		
	Min	Nom	Max
D	—	20	—
E	—	20	—
A <sub>2</sub>	—	1.40	—
H <sub>D</sub>	21.8	22.0	22.2
H <sub>E</sub>	21.8	22.0	22.2
A	—	—	1.70
A <sub>1</sub>	0.05	0.10	0.15
b <sub>p</sub>	0.13	0.18	0.23
b <sub>1</sub>	—	0.16	—
c	0.12	0.17	0.22
c <sub>1</sub>	—	0.15	—
θ	0°	—	8°
e	—	0.4	—
x	—	—	0.07
y	—	—	0.08
Z <sub>D</sub>	—	1.40	—
Z <sub>E</sub>	—	1.40	—
L	0.4	0.5	0.6
L <sub>1</sub>	—	1.0	—