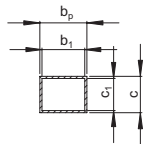
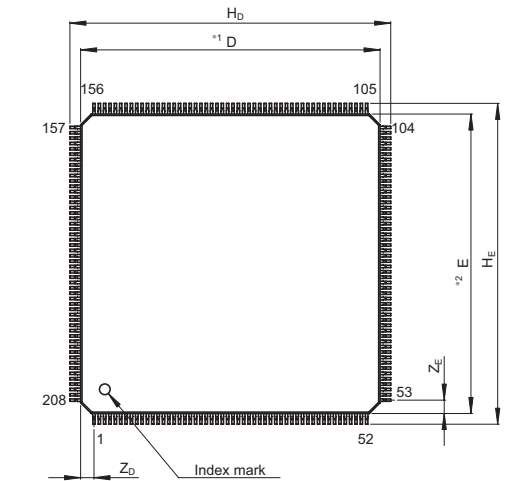
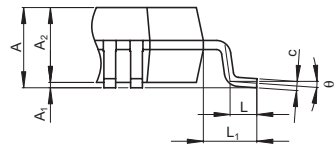
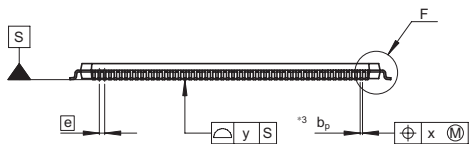


JEITA Package Code	RENESAS Code	Previous Code	MASS[Typ.]
P-LFQFP208-28x28-0.50	PLQP0208KA-A	FP-208C/FP-208CV	2.7g

NOTE)
 1. DIMENSIONS*1*AND*2*
 DO NOT INCLUDE MOLD FLASH
 2. DIMENSION*3*DOES NOT
 INCLUDE TRIM OFFSET.



Terminal cross section



Detail F

Reference Symbol	Dimension in Millimeters		
	Min	Nom	Max
D	—	28	—
E	—	28	—
A ₂	—	1.40	—
H _D	29.8	30.0	30.2
H _E	29.8	30.0	30.2
A	—	—	1.70
A ₁	0.05	0.10	0.15
b _p	0.17	0.22	0.27
b ₁	—	0.20	—
c	0.12	0.17	0.22
c ₁	—	0.15	—
θ	0°	—	8°
e	—	0.5	—
x	—	—	0.08
y	—	—	0.08
Z _D	—	1.25	—
Z _E	—	1.25	—
L	0.4	0.5	0.6
L ₁	—	1.0	—