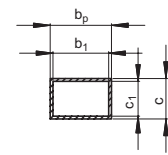
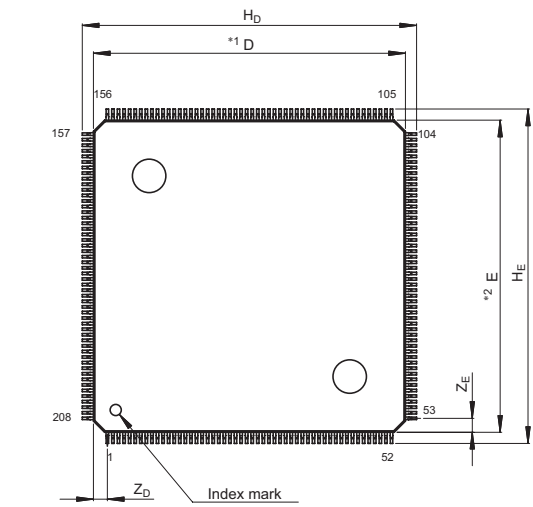
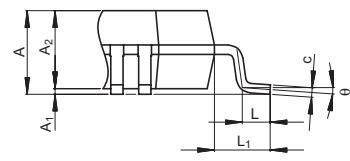


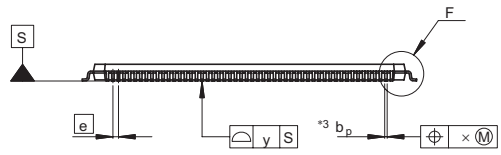
JEITA Package Code	RENESAS Code	Previous Code	MASS[Typ.]
P-LFQFP208-28x28-0.50	PLQP0208KB-A	—	2.7g



Terminal cross section



Detail F



NOTE)  
 1. DIMENSIONS  $*1$  AND  $*2$   
 DO NOT INCLUDE MOLD FLASH  
 2. DIMENSION  $*3$  DOES NOT  
 INCLUDE TRIM OFFSET.

Reference Symbol	Dimension in Millimeters		
	Min	Nom	Max
D	27.9	28.0	28.1
E	27.9	28.0	28.1
$A_2$	—	1.40	—
$H_D$	29.8	30.0	30.2
$H_E$	29.8	30.0	30.2
A	—	—	1.70
$A_1$	0.05	0.10	0.15
$b_p$	0.17	0.22	0.27
$b_1$	—	0.20	—
c	0.095	0.145	0.195
$c_1$	—	0.125	—
$\theta$	0°	—	8°
$e$	—	0.5	—
x	—	—	0.08
y	—	—	0.08
$Z_D$	—	1.25	—
$Z_E$	—	1.25	—
L	0.35	0.50	0.65
$L_1$	—	1.00	—