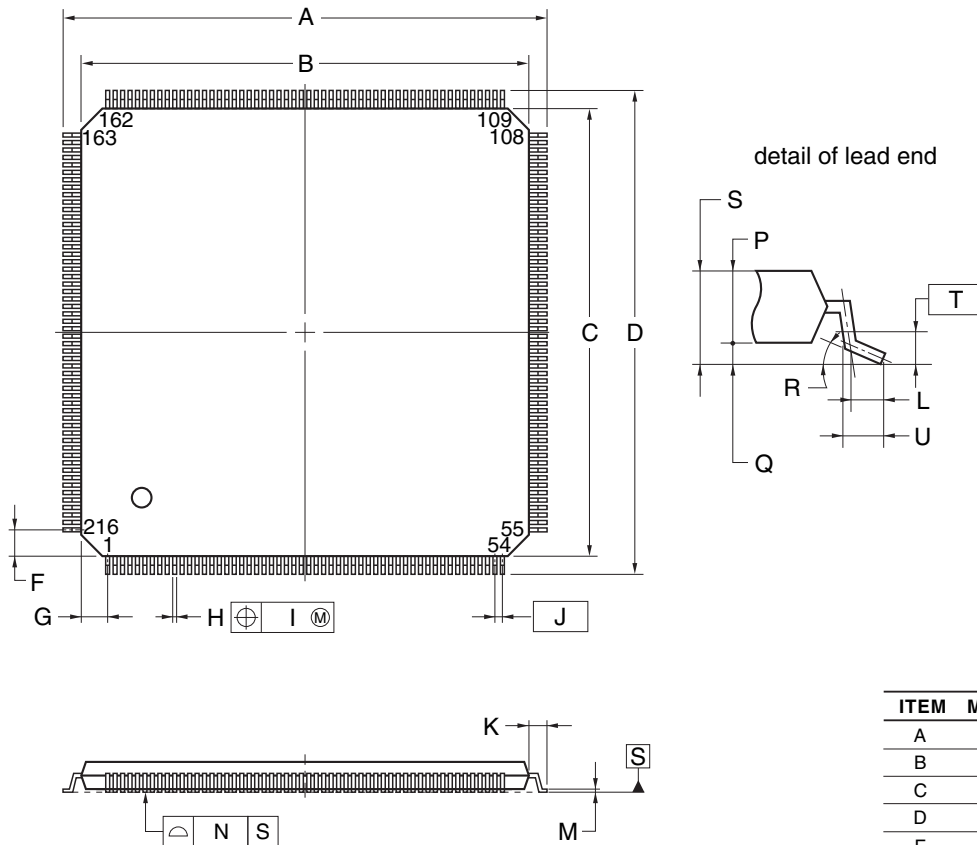


JEITA Package Code	RENESAS Code	Previous Code	MASS (TYP.) [g]
P-LFQFP216-24x24-0.40	PLQP0216LF-B	P216GM-40-UEV-1	1.9



NOTE

Each lead centerline is located within 0.07 mm of its true position (T.P.) at maximum material condition.

ITEM	MILLIMETERS
A	26.00±0.20
B	24.00±0.20
C	24.00±0.20
D	26.00±0.20
F	1.40
G	1.40
H	0.18±0.05
I	0.07
J	0.40 (T.P.)
K	1.00±0.20
L	0.50
M	0.17±0.03
N	0.08
P	1.40±0.05
Q	0.10±0.05
R	3°+4° -3°
S	1.60 MAX.
T	0.25
U	0.60±0.15