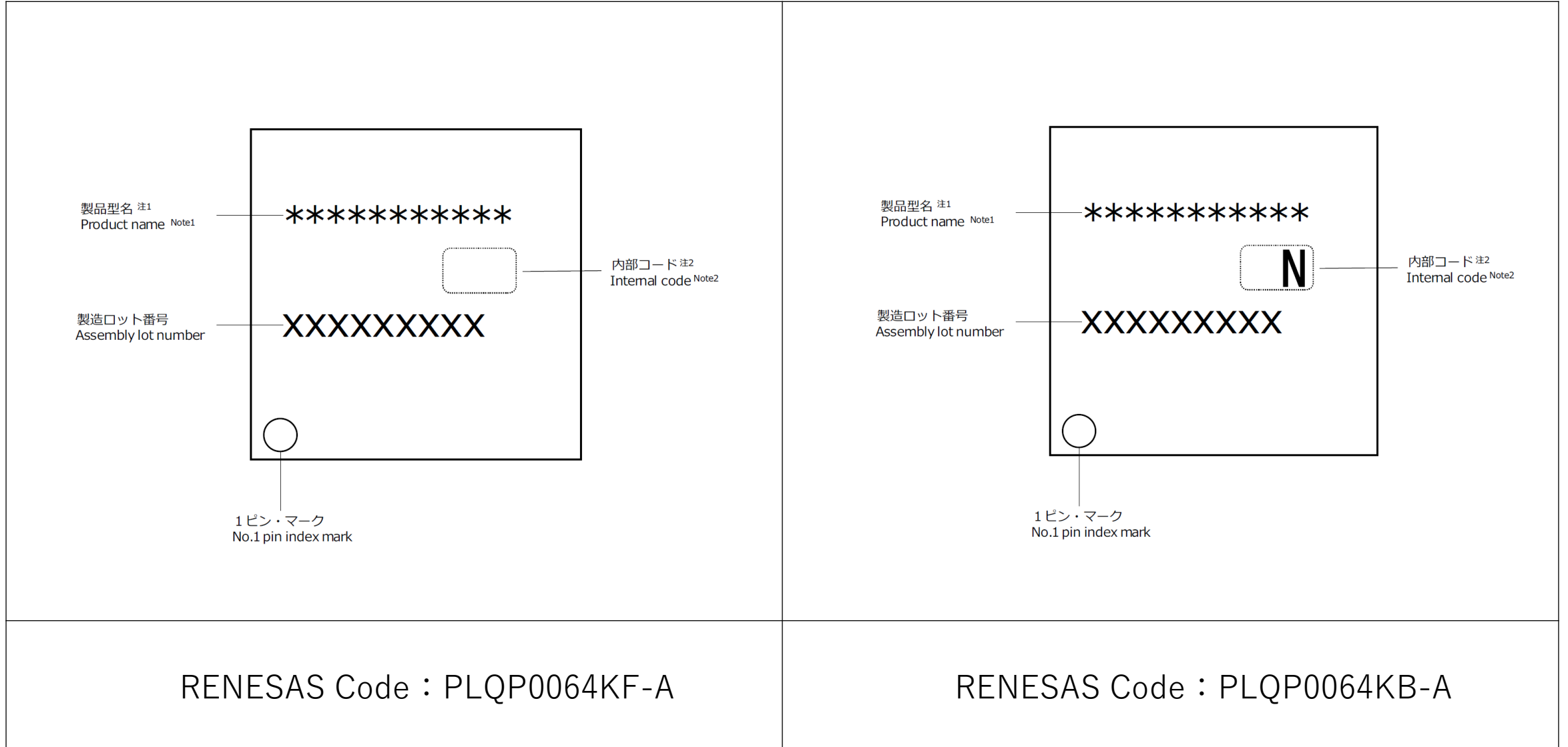
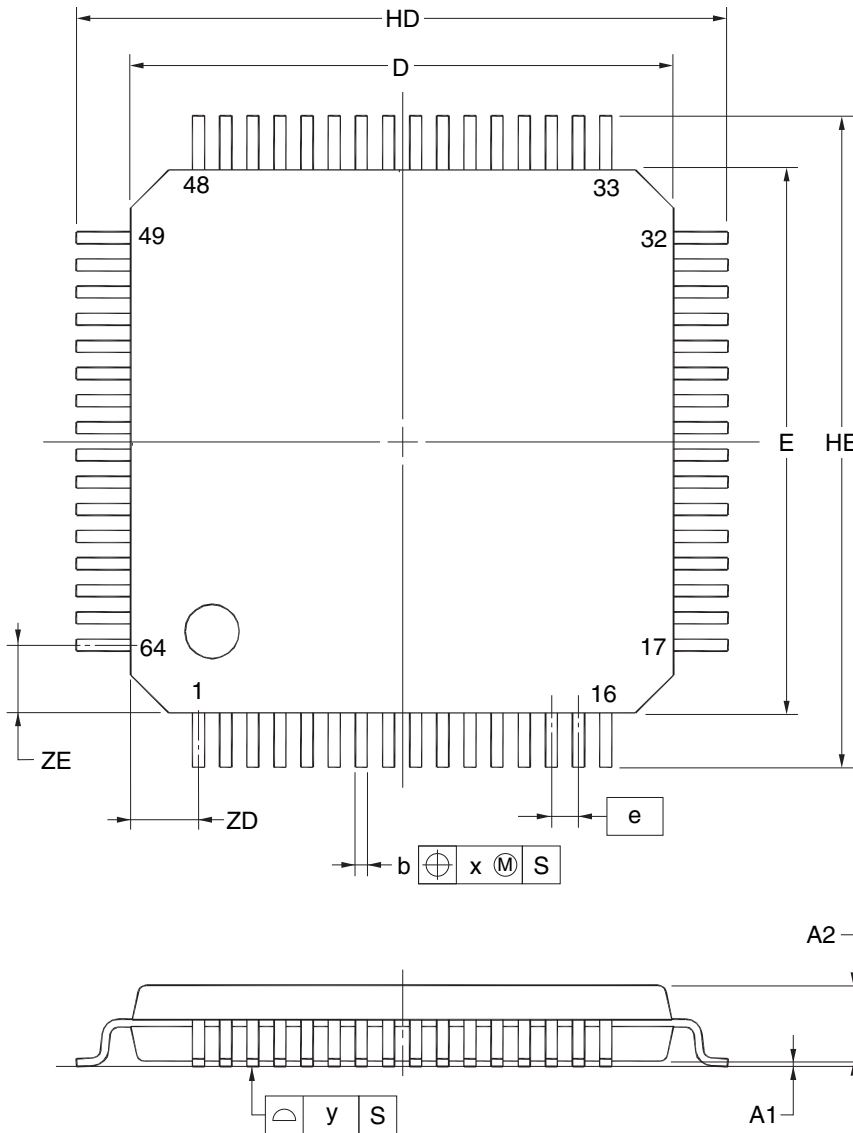


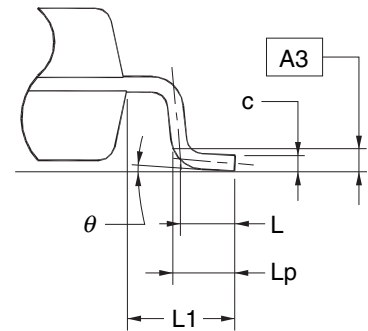
捺印、外形図紐づけ資料



JEITA Package Code	RENESAS Code	Previous Code	MASS (TYP.) [g]
P-LFQFP64-10x10-0.50	PLQP0064KF-A	P64GB-50-UEU-2	0.35



detail of lead end



(UNIT:mm)

ITEM	DIMENSIONS
D	10.00±0.20
E	10.00±0.20
HD	12.00±0.20
HE	12.00±0.20
A	1.60 MAX.
A1	0.10±0.05
A2	1.40±0.05
A3	0.25
b	0.22±0.05
c	0.145 <sup>+0.055</sup> <sub>-0.045</sub>
L	0.50
Lp	0.60±0.15
L1	1.00±0.20
$\theta$	3° <sup>+5°</sup> <sub>-3°</sub>
e	0.50
x	0.08
y	0.08
ZD	1.25
ZE	1.25

**NOTE**

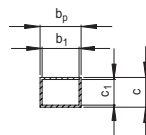
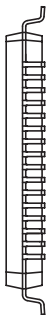
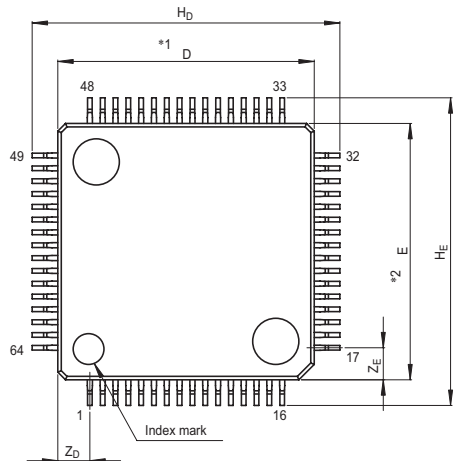
Each lead centerline is located within 0.08 mm of its true position at maximum material condition.

JEITA Package Code  
P-LFQFP64-10x10-0.50

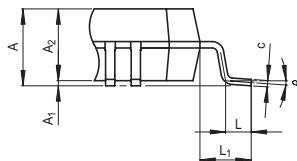
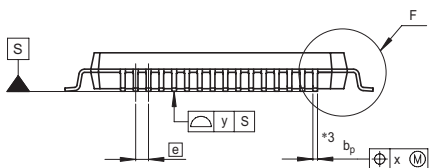
RENESAS Code  
PLQP0064KB-A

Previous Code  
64P6Q-A / FP-64K / FP-64KV

MASS[Typ.]  
0.3g



Terminal cross section



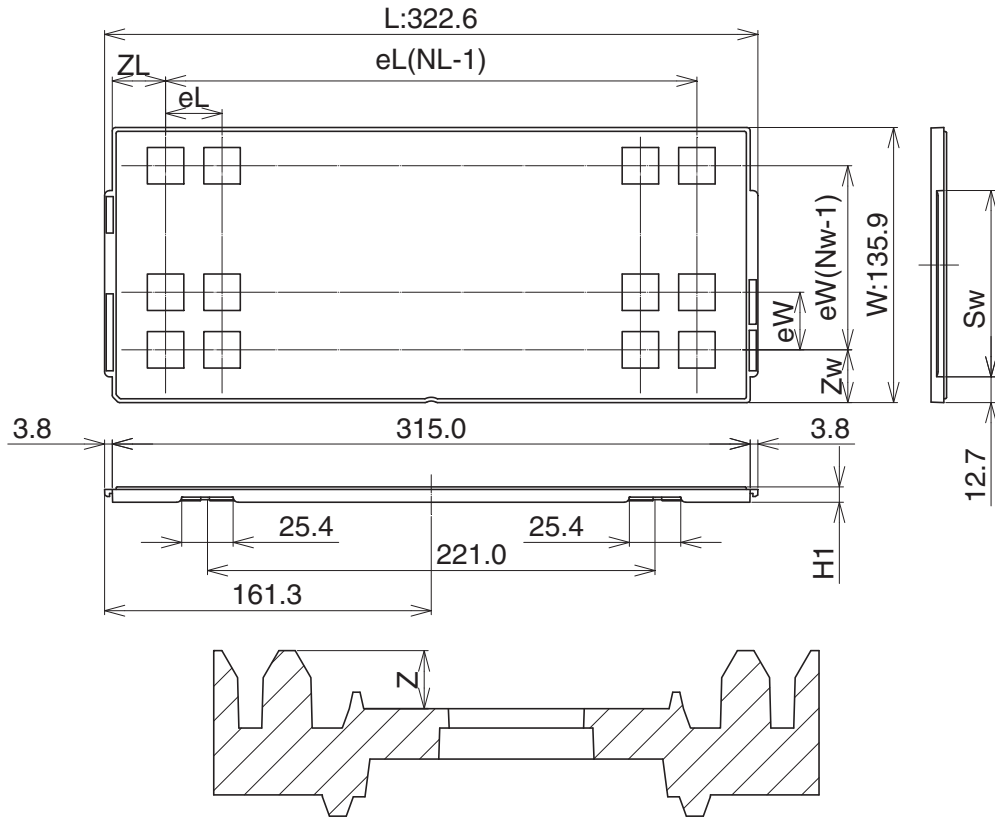
Detail F

- NOTE)
1. DIMENSIONS \*\*1\* AND \*\*2\* DO NOT INCLUDE MOLD FLASH.
  2. DIMENSION \*\*3\* DOES NOT INCLUDE TRIM OFFSET.

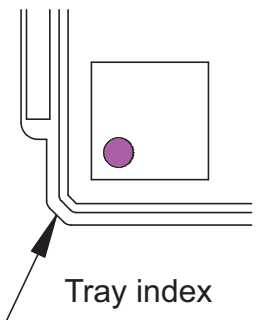
Reference Symbol	Dimension in Millimeters		
	Min	Nom	Max
D	9.9	10.0	10.1
E	9.9	10.0	10.1
A <sub>2</sub>	—	1.4	—
H <sub>D</sub>	11.8	12.0	12.2
H <sub>E</sub>	11.8	12.0	12.2
A	—	—	1.7
A <sub>1</sub>	0.05	0.1	0.15
b <sub>p</sub>	0.15	0.20	0.25
b <sub>1</sub>	—	0.18	—
c	0.09	0.145	0.20
c <sub>1</sub>	—	0.125	—
θ	0°	—	8°
Ⓢ	—	0.5	—
x	—	—	0.08
y	—	—	0.08
Z <sub>D</sub>	—	1.25	—
Z <sub>E</sub>	—	1.25	—
L	0.35	0.5	0.65
L <sub>1</sub>	—	1.0	—

**Packing Specification**  
**Tray Outline Drawing**  
**LQFP10x10x1.4**

Unit: mm



The pin1 is located in the hatching portion.



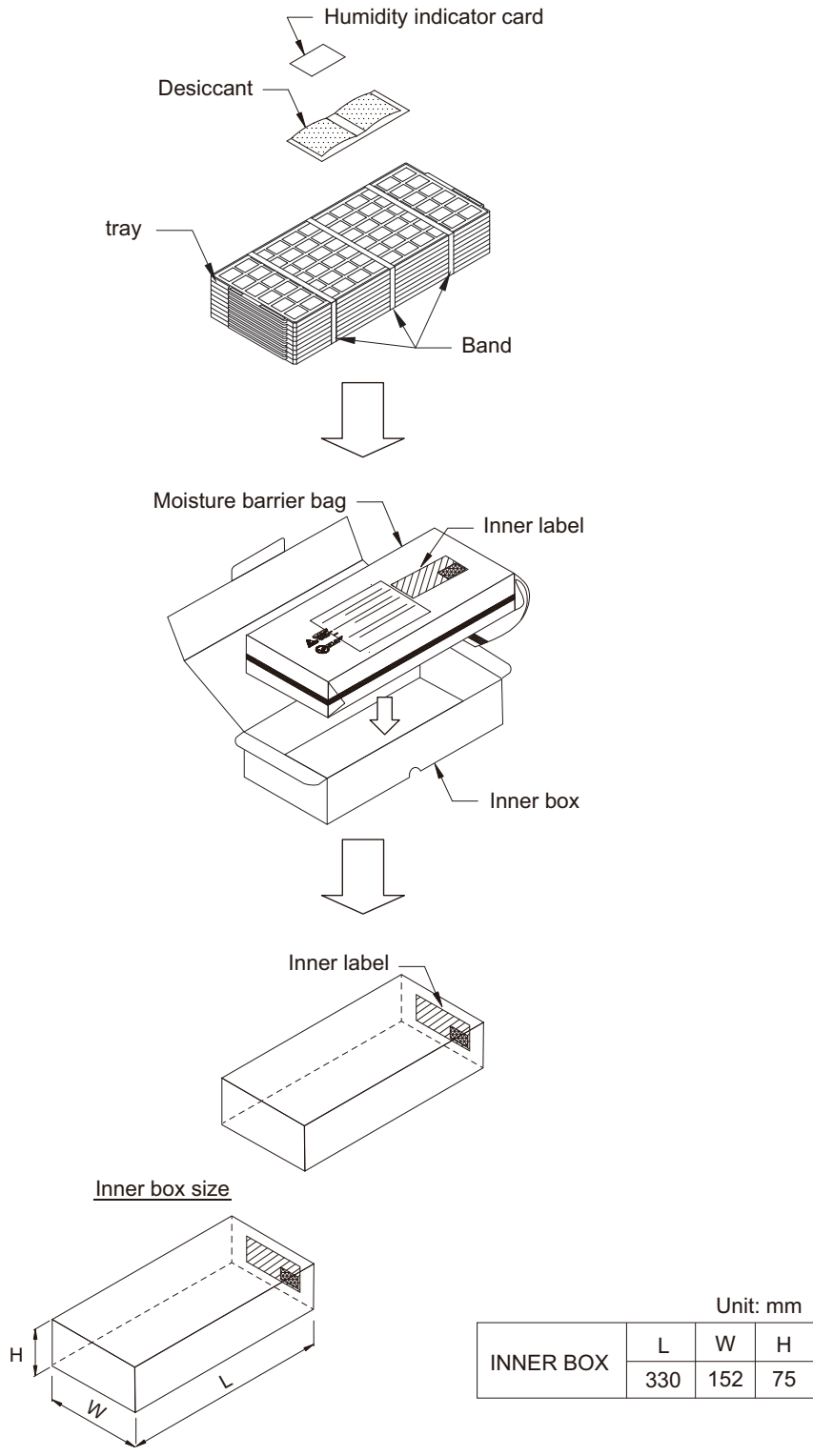
Tray Code		LQFP10x10x1.4
Position dimension of cells	Z	1.5
	Zw	13.0
	ZL	13.1
	eW	15.7
	eL	15.2
	Sw	92.1
Thickness (mm)	H1	7.62
Number of cells	Nw	8
	NL	20
Maximum storage No. IC/Tray		160
Maximum storage No. IC/Inner box		1280
Material		Carbon PPE
Heat resistant temperature		135°C MAX
JEDEC or Custom		JEDEC
Surface resistance		Less than $1 \times 10^{11} \Omega/\square$

RDH-H-000714

# Packing Specification

## Tray Packing

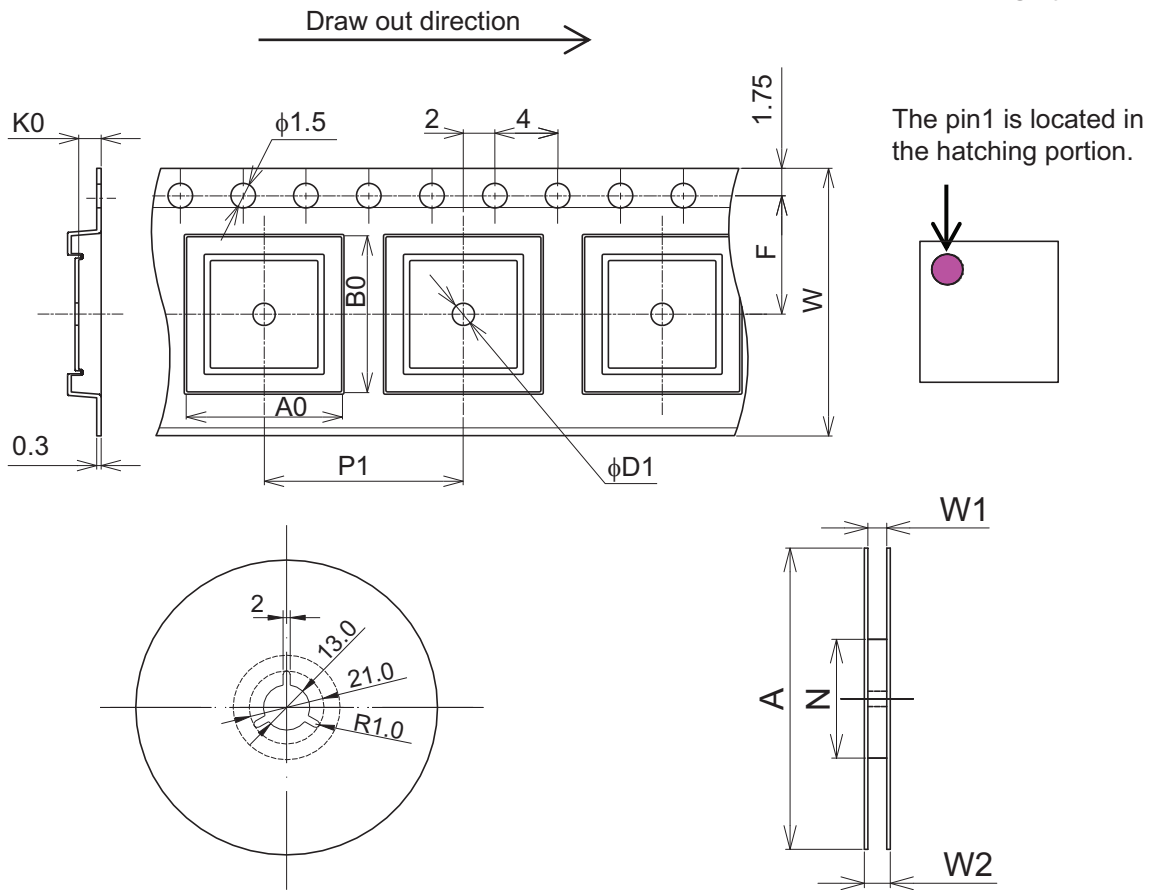
### (Tray dry pack)



H-000531

**Packing Specification  
Tape & Reel Outline Drawing  
E2416Q10RA**

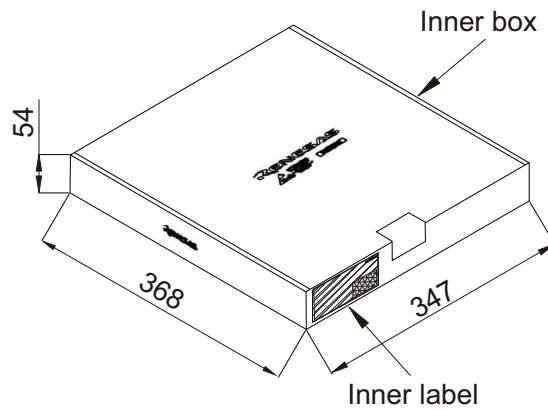
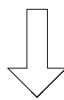
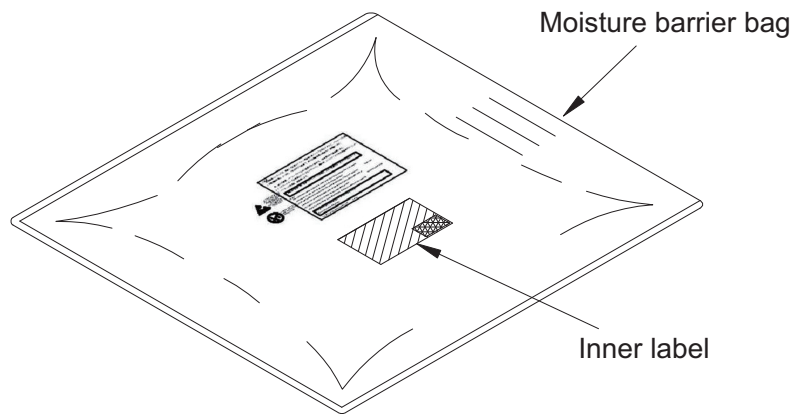
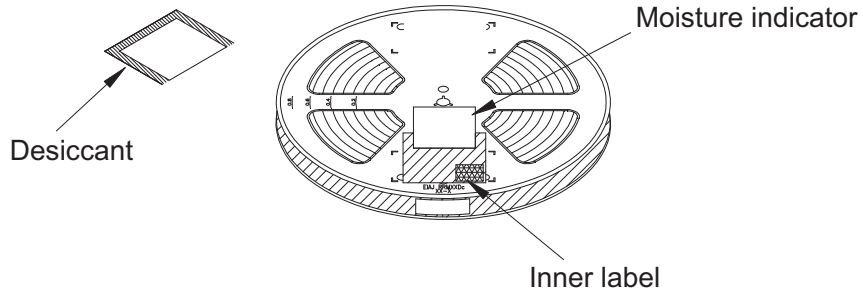
Unit: mm



Tape Code		E2416Q10RA
Tape Dimensions (mm)	W	24.0
	P1	16.0
	A0	12.5
	B0	12.5
	K0	1.4
	F	11.50
	D1	1.5
Reel Dimensions (mm)	A	330
	N	100
	W1	25.4
	W2	29.4
Maximum storage Pcs. IC/ Reel		1000
Material		Carbon PS
Surface resistance		Less than $1 \times 10^{11} \Omega/\square$

H-001794

**Packing Specification  
Tape & Reel Packing  
(Tape dry pack)**



RDK-H-000152

© 2017 Renesas Electronics Corporation. All rights reserved.