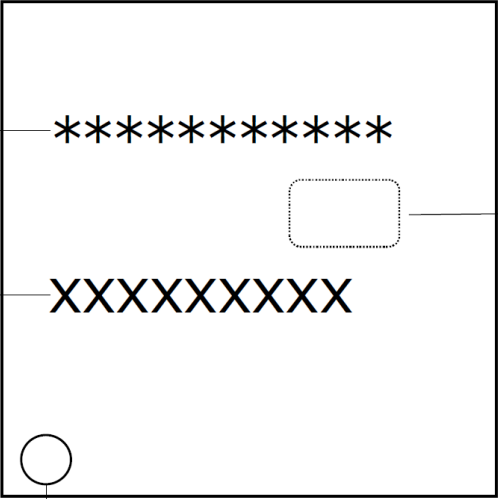
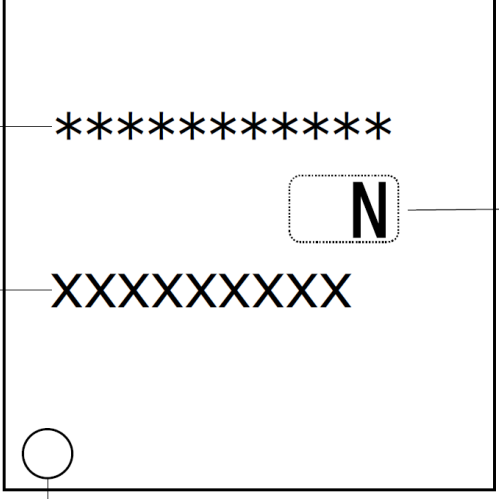
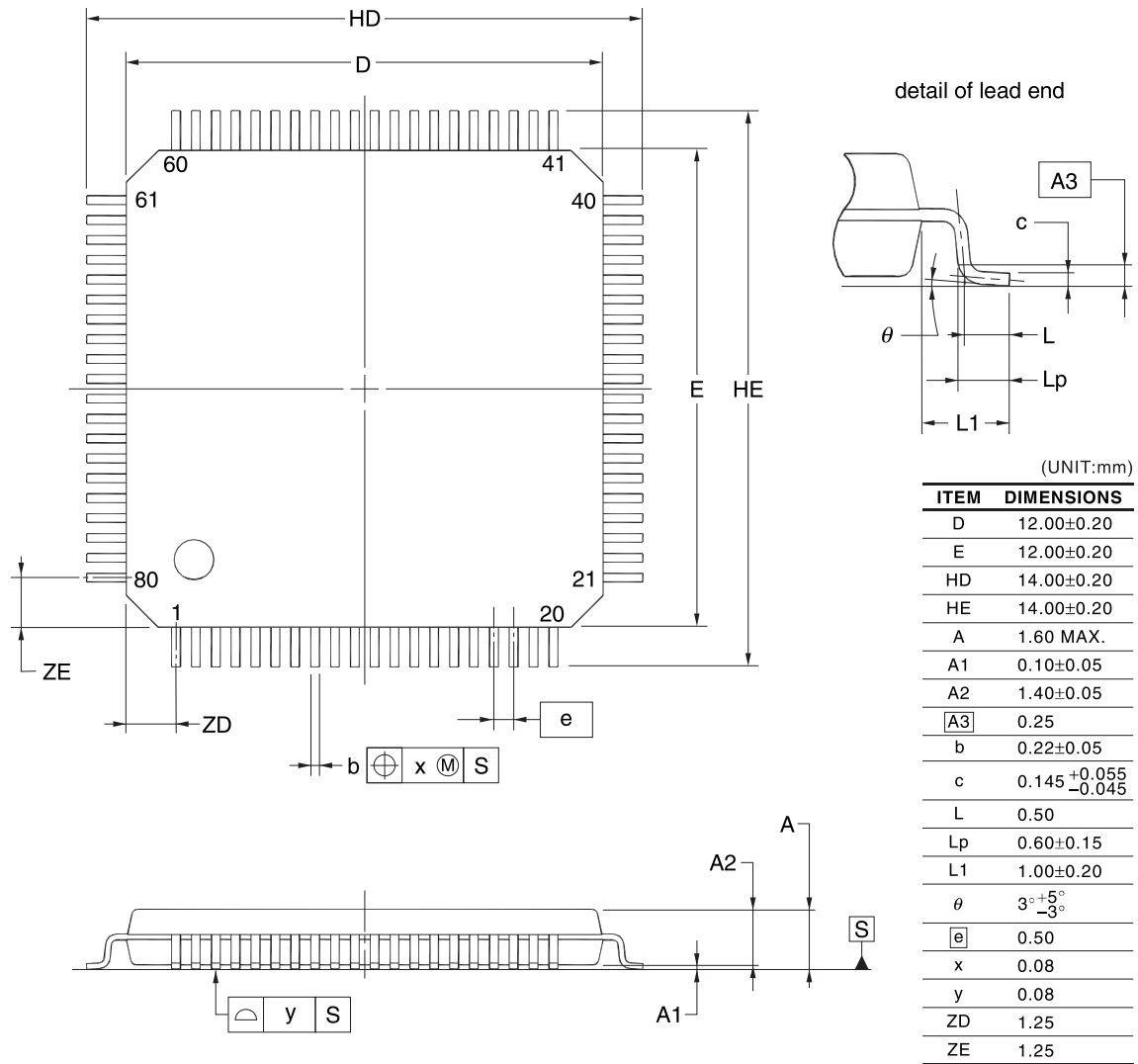


捺印、外形図紐づけ資料

 <p>製品型名 注1 Product name Note1</p> <p>*****</p> <p>内部コード 注2 Internal code Note2</p> <p>XXXXXXXXXX</p> <p>1ピン・マーク No.1 pin index mark</p>	 <p>製品型名 注1 Product name Note1</p> <p>*****</p> <p>N</p> <p>内部コード 注2 Internal code Note2</p> <p>XXXXXXXXXX</p> <p>1ピン・マーク No.1 pin index mark</p>
<p>RENESAS Code : PLQP0080KE-A</p>	<p>RENESAS Code : PLQP0080KG-A</p>

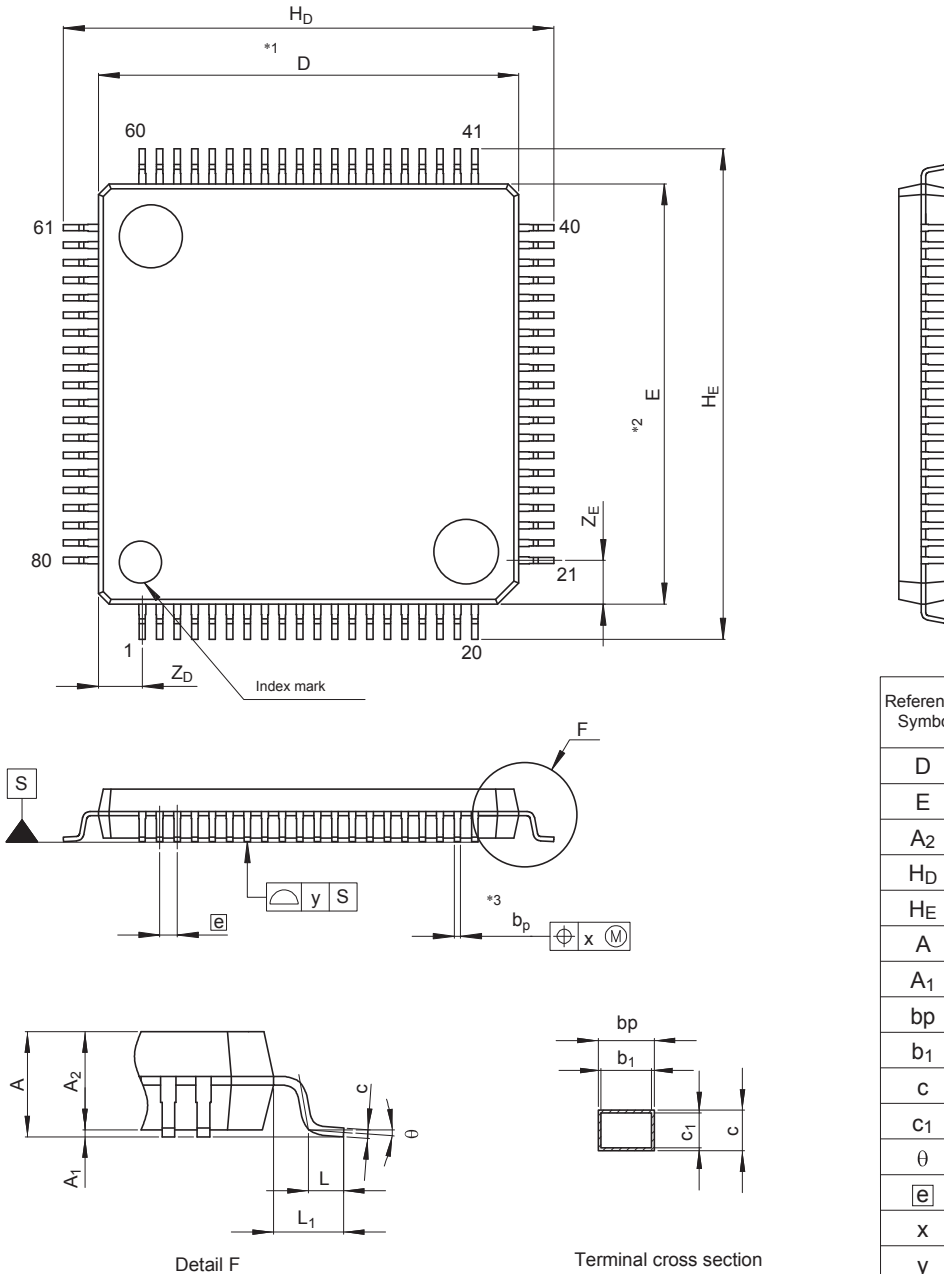
JEITA Package Code	RENESAS Code	Previous Code	MASS (TYP.) [g]
P-LFQFP80-12x12-0.50	PLQP0080KE-A	P80GK-50-8EU-2	0.53



NOTE
Each lead centerline is located within 0.08 mm of its true position at maximum material condition.

JEITA Package Code	RENESAS Code	Previous Code	MASS (Typ) [g]
P-LFQFP80-12x12-0.50	PLQP0080KG-A	—	0.50

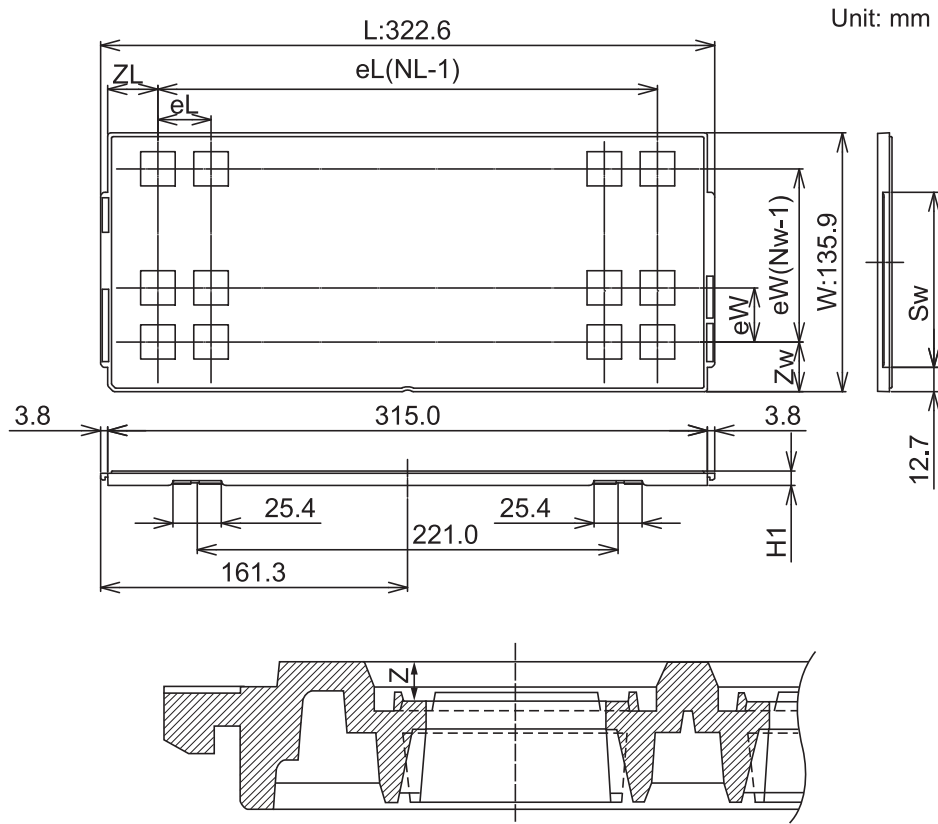
Unit: mm



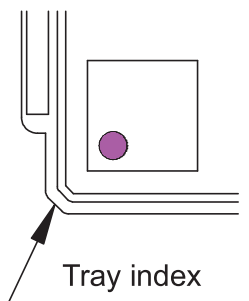
Reference Symbol	Dimensions in millimeters		
	Min	Nom	Max
D	11.9	12.0	12.1
E	11.9	12.0	12.1
A ₂	—	1.4	—
H _D	13.8	14.0	14.2
H _E	13.8	14.0	14.2
A	—	—	1.7
A ₁	0.05	0.10	0.15
b _p	0.15	0.20	0.25
b ₁	—	0.18	—
c	0.09	0.145	0.20
c ₁	—	0.125	—
θ	0°	—	8°
e	—	0.5	—
x	—	—	0.08
y	—	—	0.08
Z _D	—	1.25	—
Z _E	—	1.25	—
L	0.35	0.5	0.65
L ₁	—	1.0	—

NOTE)
 1. DIMENSIONS "*1" AND "*2"
 DO NOT INCLUDE MOLD FLASH.
 2. DIMENSION "*3" DOES NOT
 INCLUDE TRIM OFFSET.

Packing Specification
Tray Outline Drawing
LQFP12x12x1.4



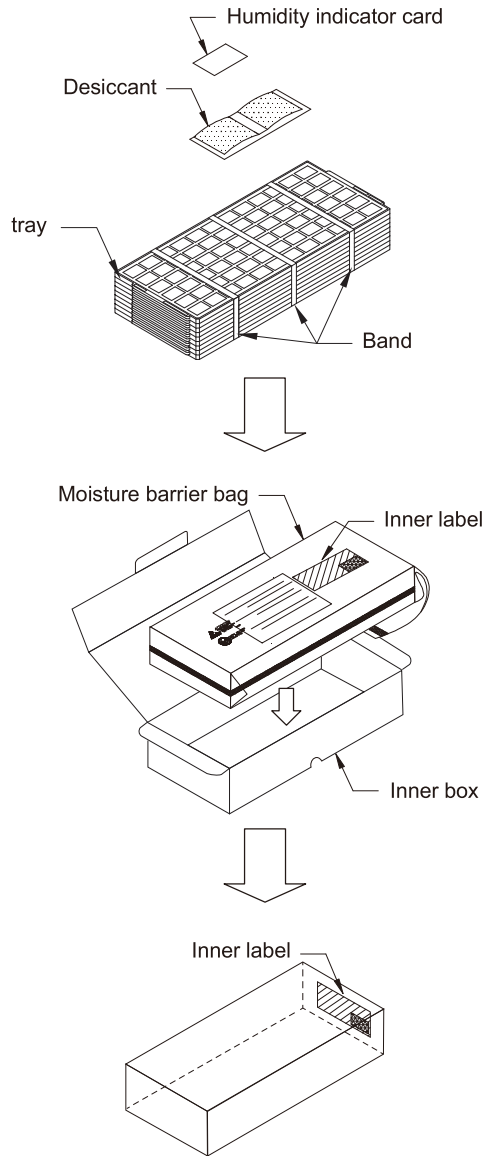
The pin1 is located in the hatching portion.



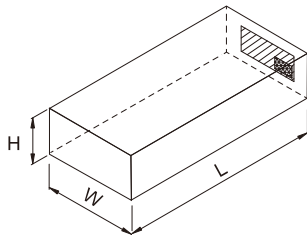
Tray Code		LQFP12x12x1.4
Position dimension of cells	Z	2.0
	Zw	13.95
	ZL	14.3
	eW	18.0
	eL	17.9
	Sw	92.1
Thickness (mm)	H1	7.62
Number of cells	Nw	7
	NL	17
Maximum storage No. IC/Tray		119
Maximum storage No. IC/Inner box		952
Material		Carbon PPE
Heat resistant temperature		135°C MAX
JEDEC or Custom		JEDEC
Surface resistance		Less than $1 \times 10^{11} \Omega/\square$

RDK-H-000716

Packing Specification
Tray Packing
(Tray dry pack)



Inner box size



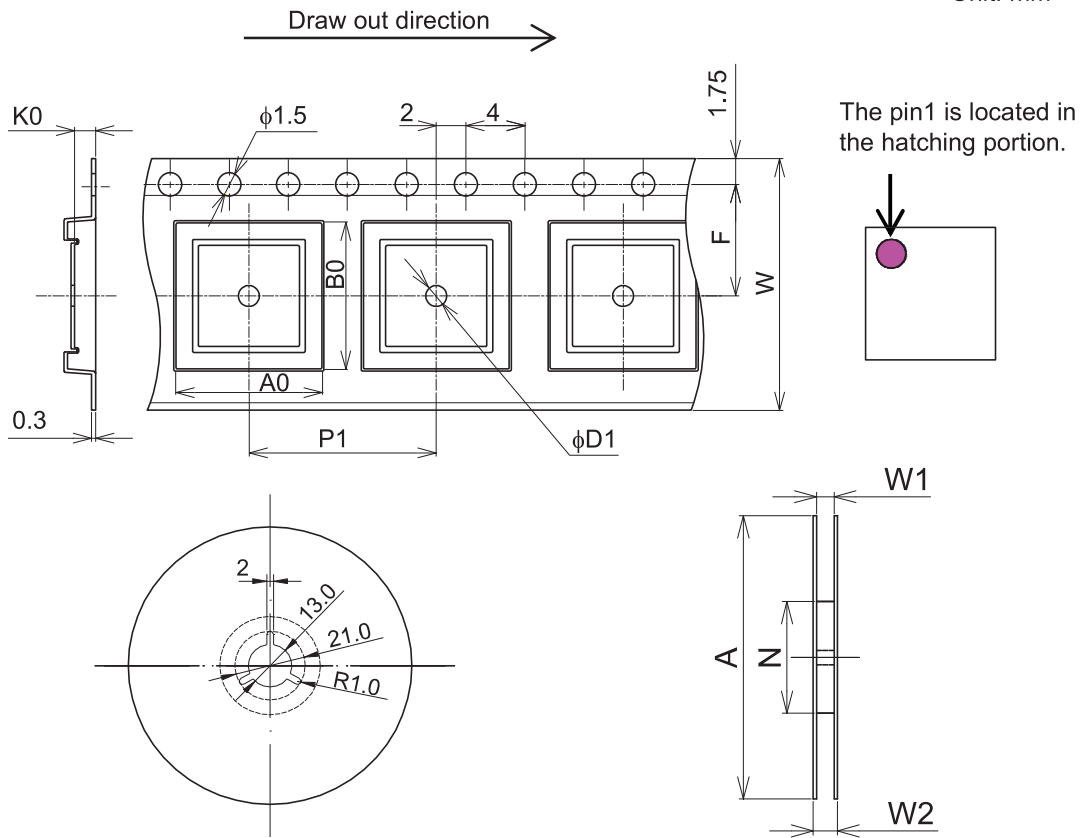
Unit: mm

INNER BOX	L	W	H
	330	152	75

H-000531

Packing Specification
Tape & Reel Outline Drawing
E2420Q12RA

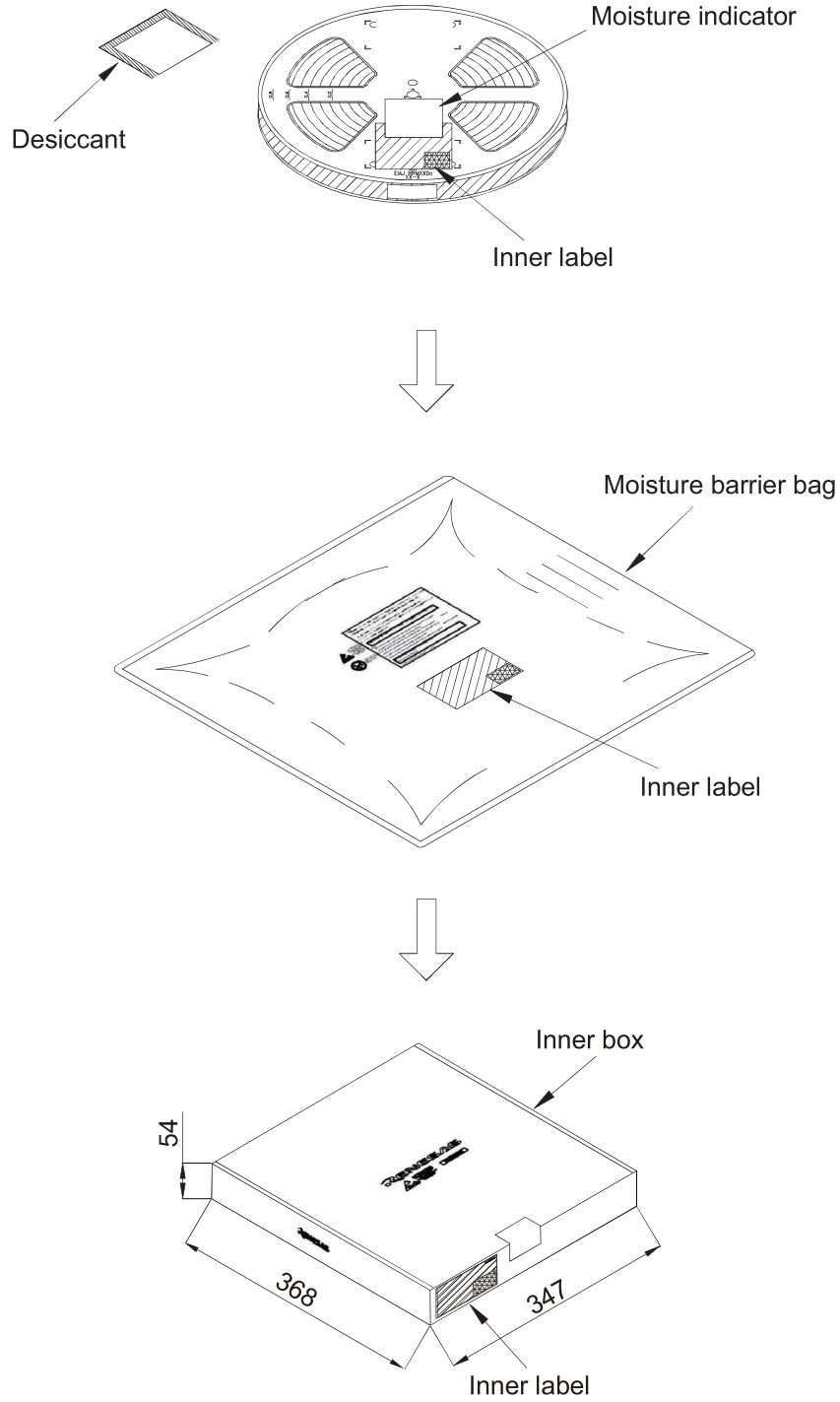
Unit: mm



Tape Code		E2420Q12RA
Tape Dimensions (mm)	W	24.0
	P1	20.0
	A0	14.5
	B0	14.5
	K0	1.4
	F	11.50
	D1	1.5
Reel Dimensions (mm)	A	330
	N	100
	W1	25.4
	W2	29.4
Maximum storage Pcs. IC/ Reel		1000
Material		Carbon PS
Surface resistance		Less than $1 \times 10^{11} \Omega/\square$

H-001571

Packing Specification
Tape & Reel Packing
(Tape dry pack)



RDK-H-000152

© 2017 Renesas Electronics Corporation. All rights reserved.