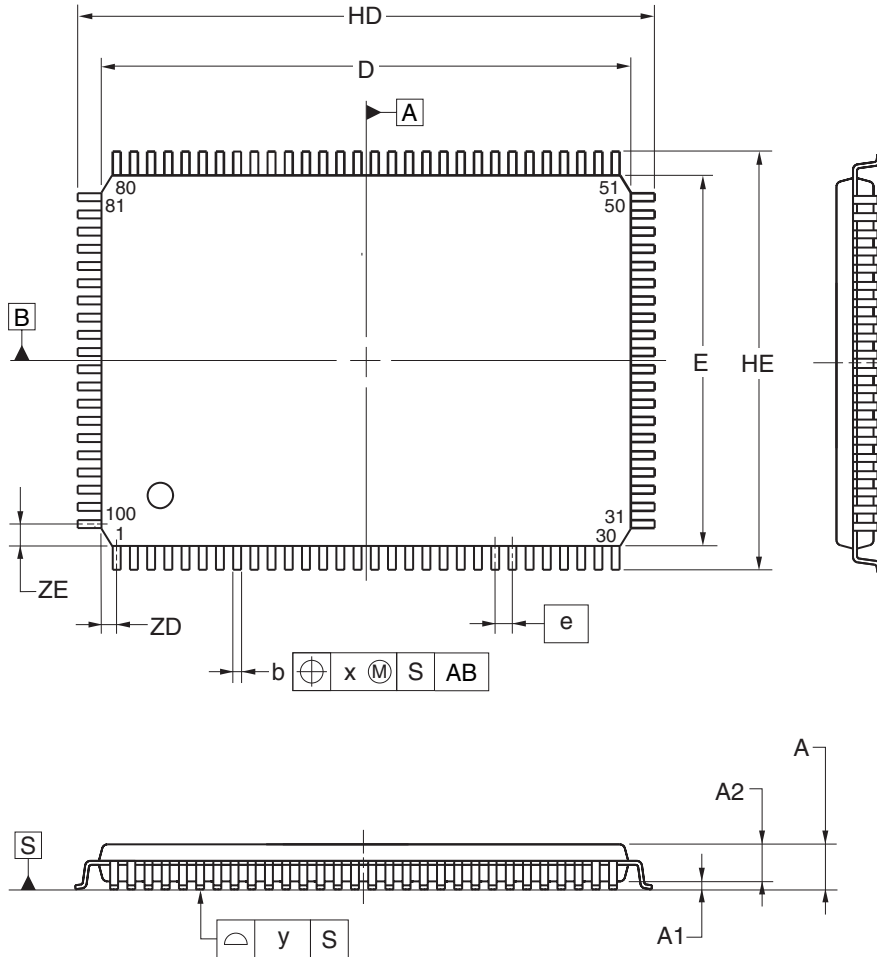
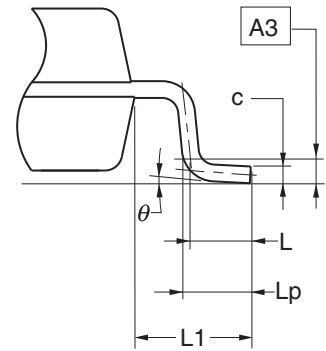


JEITA Package Code	RENESAS Code	Previous Code	MASS (TYP.) [g]
P-LQFP100-14x20-0.65	PLQP0100JC-A	P100GF-65-GBN-1	0.92



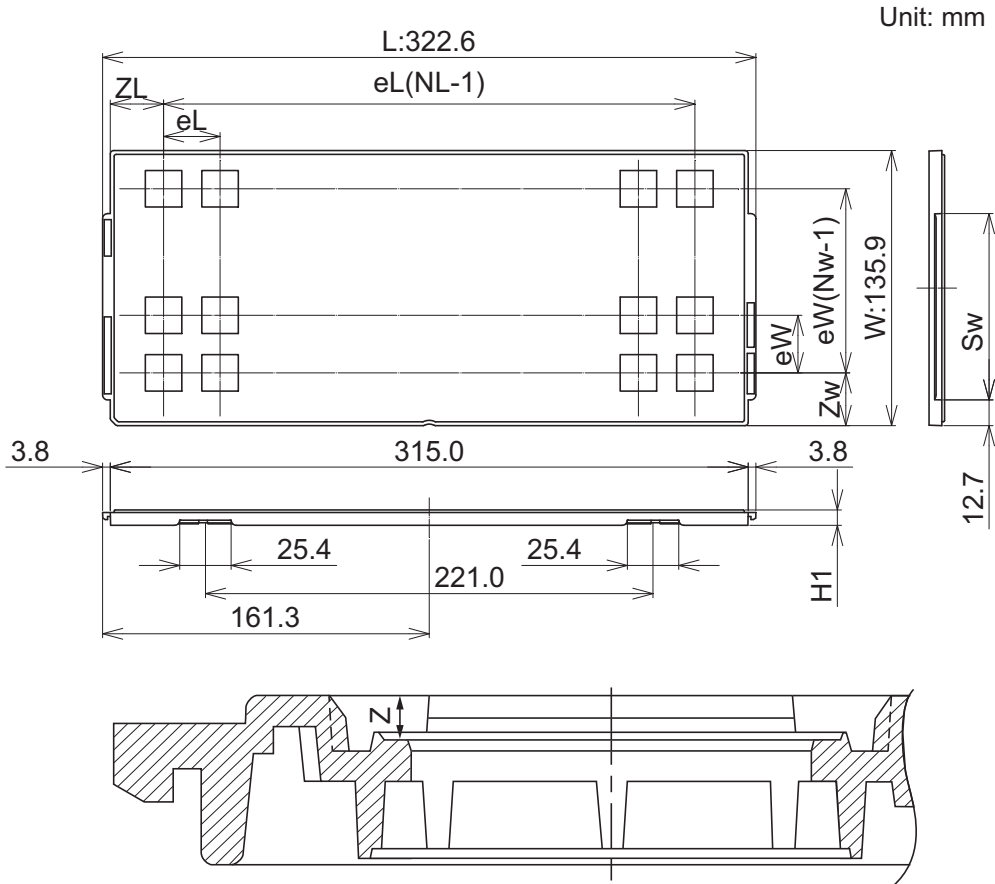
detail of lead end



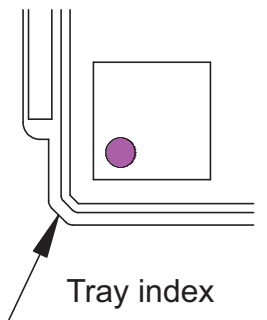
(UNIT:mm)

ITEM	DIMENSIONS
D	20.00±0.20
E	14.00±0.20
HD	22.00±0.20
HE	16.00±0.20
A	1.60 MAX.
A1	0.10±0.05
A2	1.40±0.05
A3	0.25
b	0.32 <sup>+0.08</sup> <sub>-0.07</sub>
c	0.145 <sup>+0.055</sup> <sub>-0.045</sub>
L	0.50
Lp	0.60±0.15
L1	1.00±0.20
θ	3° <sup>+5°</sup> <sub>-3°</sub>
e	0.65
x	0.13
y	0.10
ZD	0.575
ZE	0.825

**Packing Specification  
Tray Outline Drawing  
ST-TQ142014TJ-1**



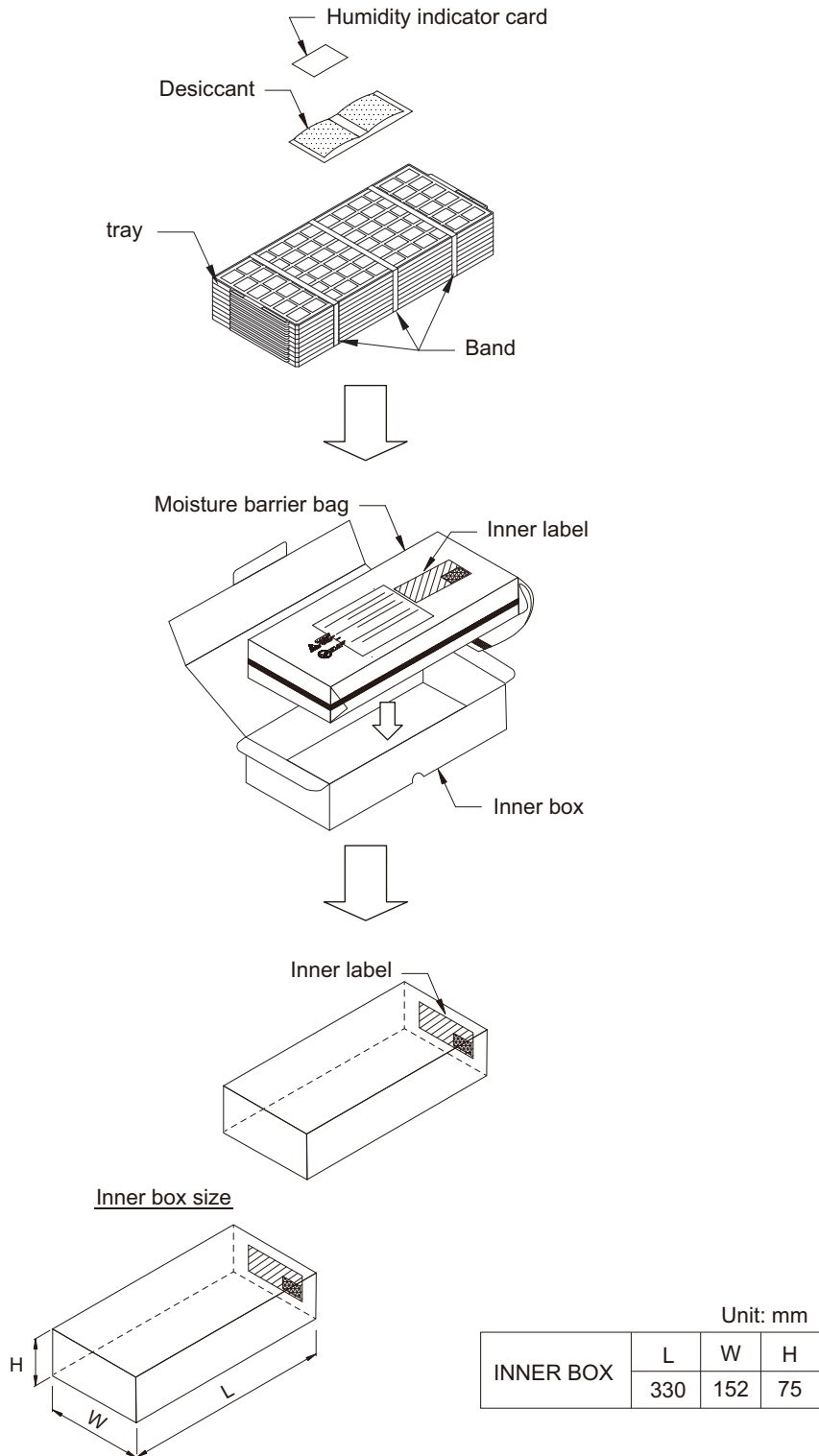
The pin1 is located in the hatching portion.



Tray Code		ST-TQ142014TJ-1
Position dimension of cells	Z	2.0
	Zw	15.45
	ZL	17.8
	eW	21.0
	eL	25.4
	Sw	92.1
Thickness (mm)	H1	7.62
Number of cells	Nw	6
	NL	12
Maximum storage No. IC/Tray		72
Maximum storage No. IC/Inner box		576
Material		Carbon PPE
Heat resistant temperature		150°C MAX
JEDEC or Custom		JEDEC
Surface resistance		Less than $1 \times 10^{11} \Omega/\square$

RDK-H-000664

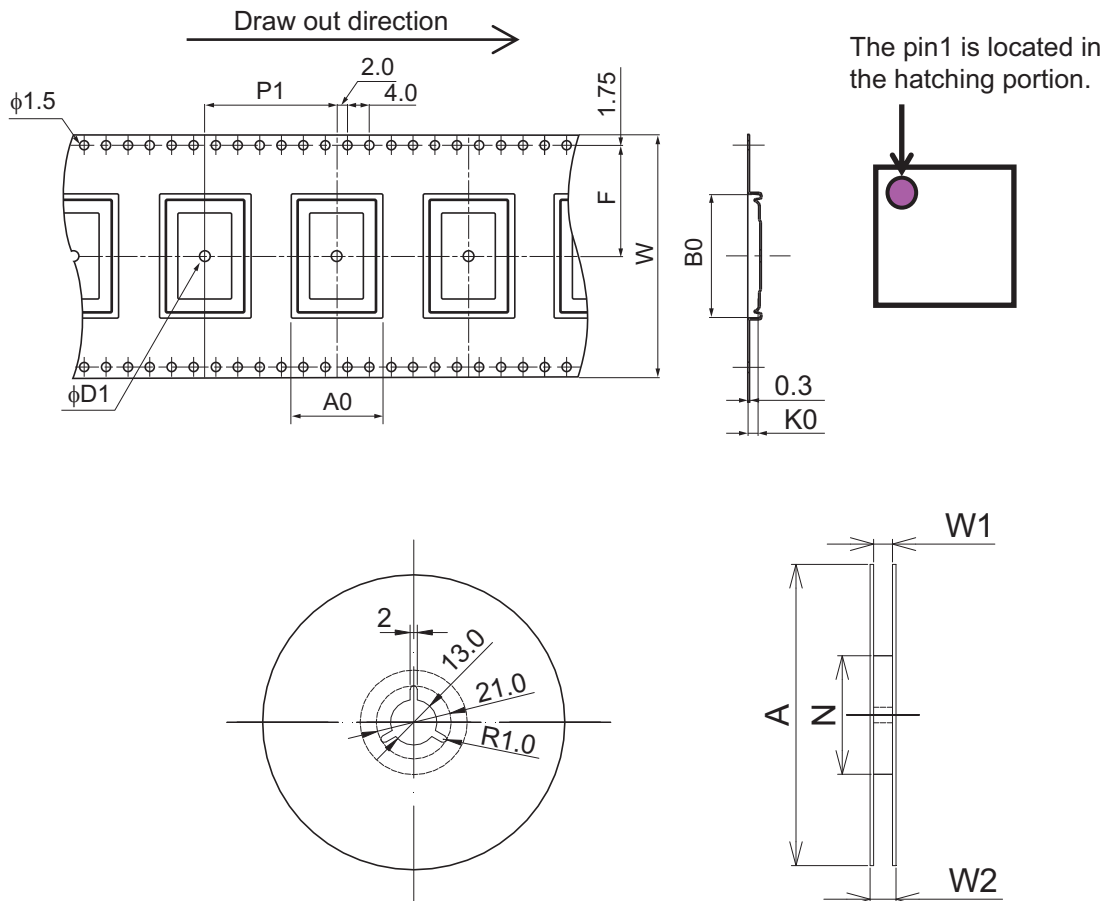
**Packing Specification**  
**Tray Packing**  
**(Tray dry pack)**



H-000531

**Packing Specification  
Tape & Reel Outline Drawing  
E44 \* 24-AWCA**

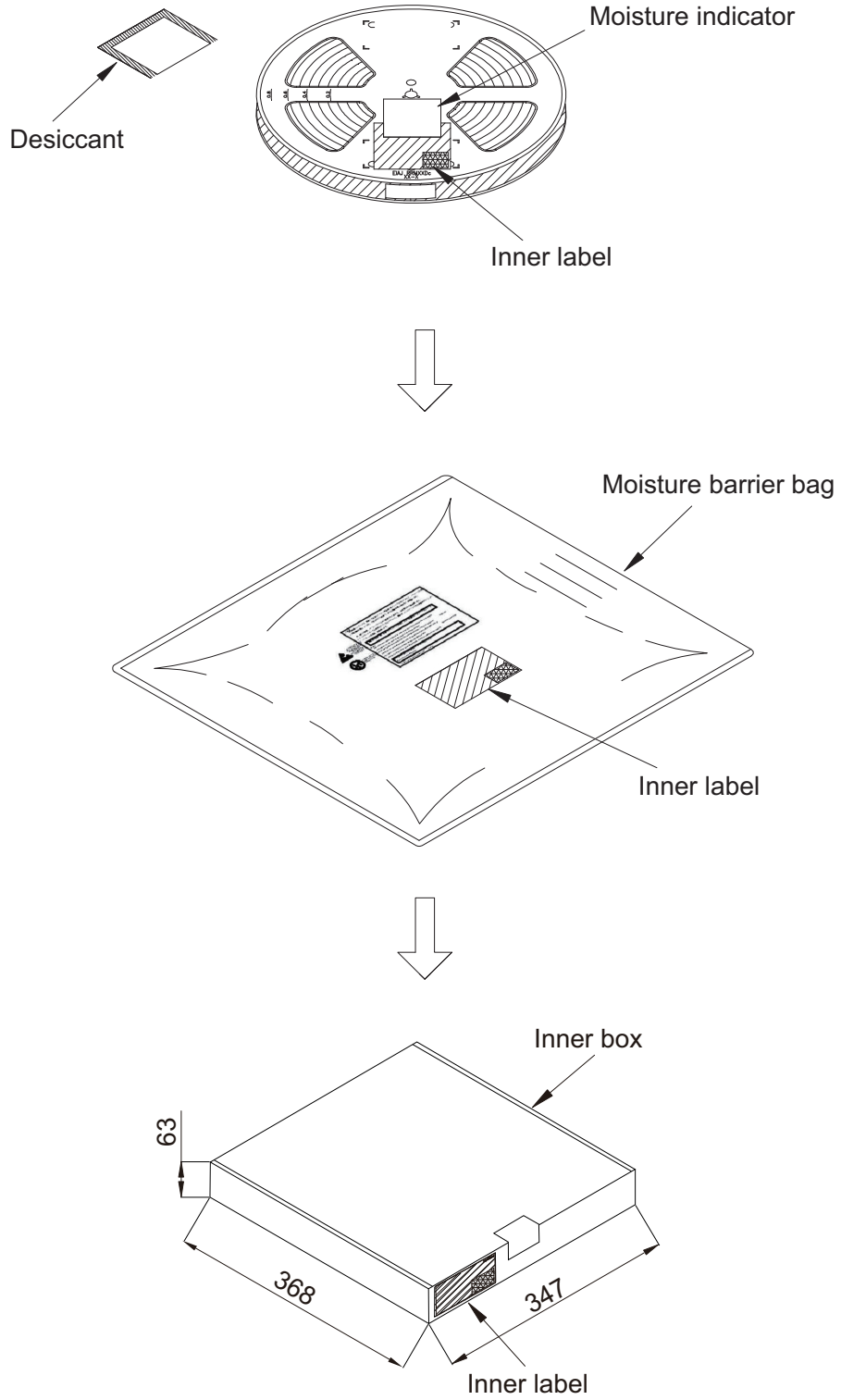
Unit: mm



Tape Code		E44 * 24-AWCA
Tape Dimensions (mm)	W	44.0
	P1	24.0
	A0	16.45
	B0	22.45
	K0	1.4
	F	20.2
	D1	2.0
Reel Dimensions (mm)	A	330
	N	100
	W1	45.5
	W2	49.5
Maximum storage No. IC/ Reel		750
Material		Carbon PS
Surface resistance		Less than $1 \times 10^{11} \Omega/\square$

RDK-H-001649

**Packing Specification  
Tape & Reel Packing  
(Tape dry pack)**



RDK-H-000671

© 2017 Renesas Electronics Corporation. All rights reserved.