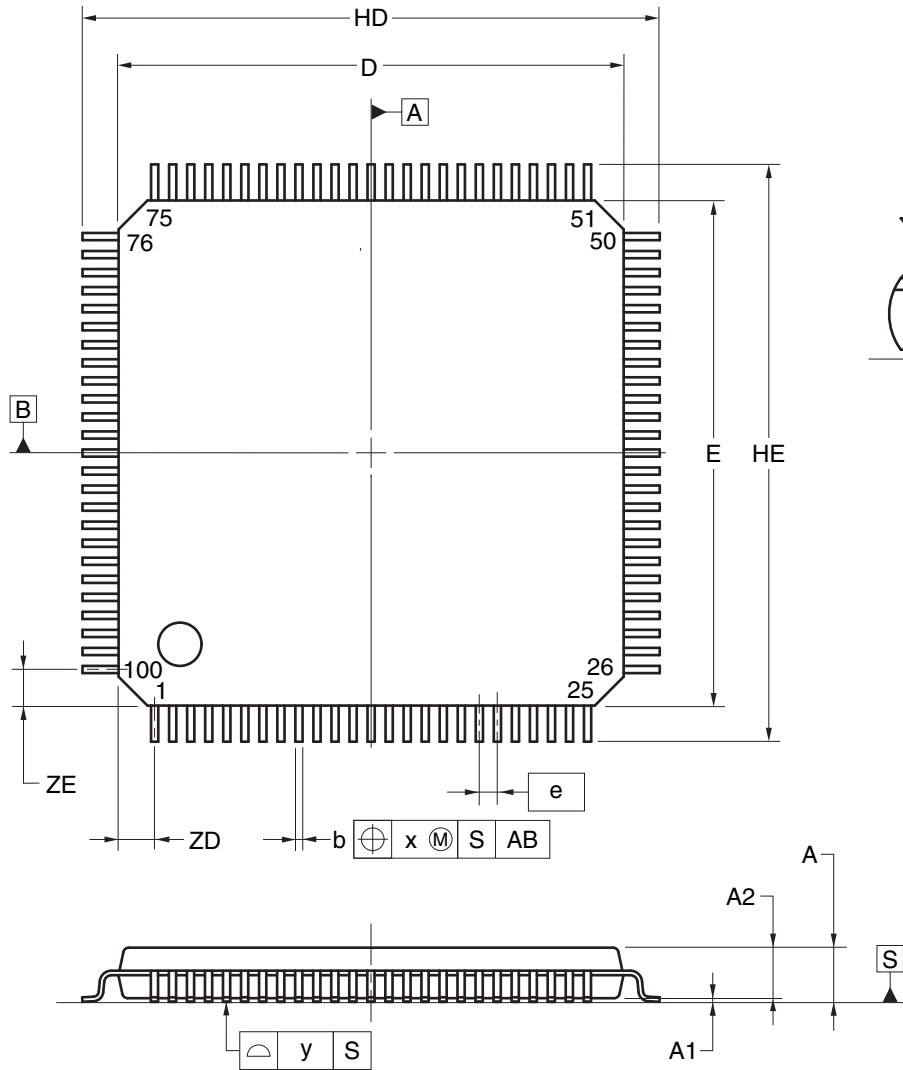
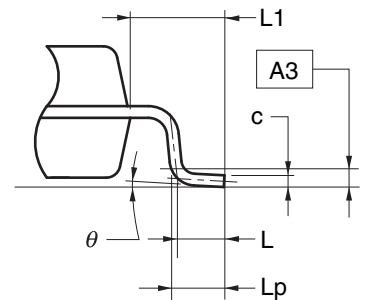


| | | | |
|-----------------------|--------------|-----------------|-----------------|
| JEITA Package Code | RENESAS Code | Previous Code | MASS (TYP.) [g] |
| P-LFQFP100-14x14-0.50 | PLQP0100KE-A | P100GC-50-GBR-1 | 0.69 |



detail of lead end

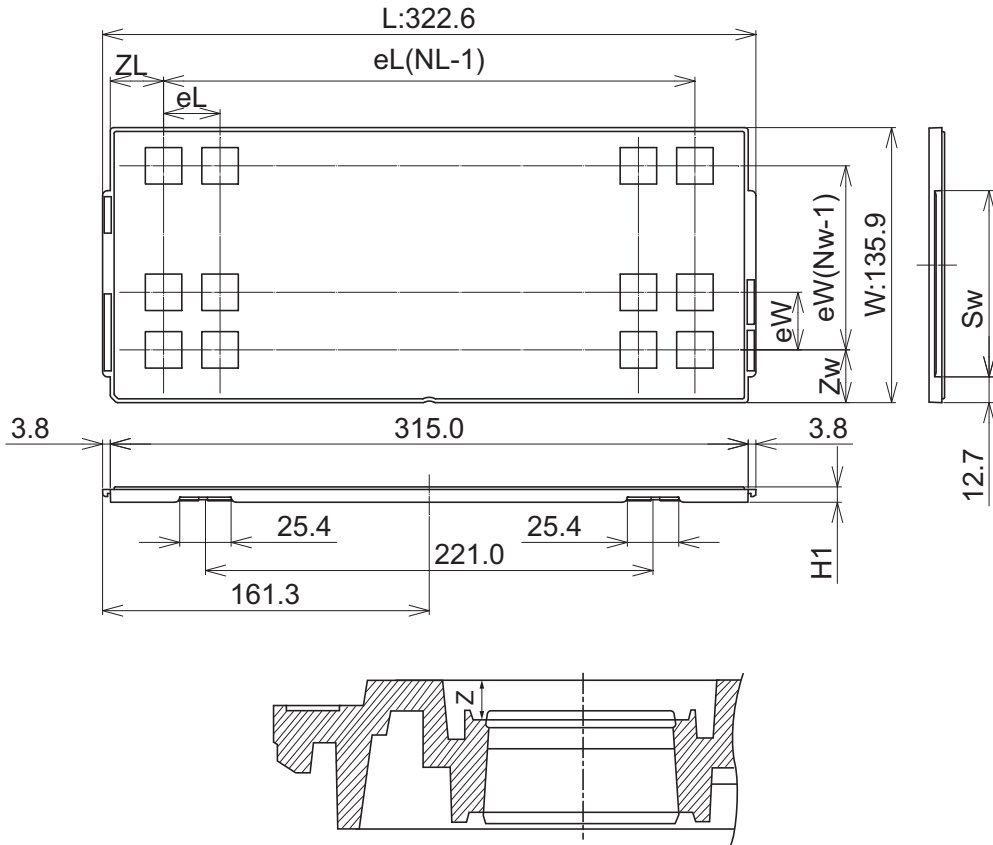


(UNIT:mm)

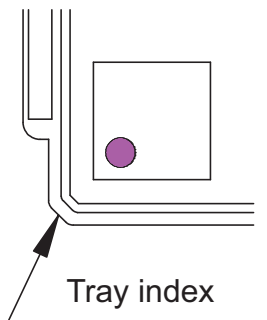
| ITEM | DIMENSIONS |
|----------|---|
| D | 14.00±0.20 |
| E | 14.00±0.20 |
| HD | 16.00±0.20 |
| HE | 16.00±0.20 |
| A | 1.60 MAX. |
| A1 | 0.10±0.05 |
| A2 | 1.40±0.05 |
| A3 | 0.25 |
| b | 0.22±0.05 |
| c | 0.145 ^{+0.055} _{-0.045} |
| L | 0.50 |
| Lp | 0.60±0.15 |
| L1 | 1.00±0.20 |
| θ | 3° ^{+5°} _{-3°} |
| e | 0.50 |
| x | 0.08 |
| y | 0.08 |
| ZD | 1.00 |
| ZE | 1.00 |

Packing Specification
Tray Outline Drawing
TQFP14x14x1.4

Unit: mm



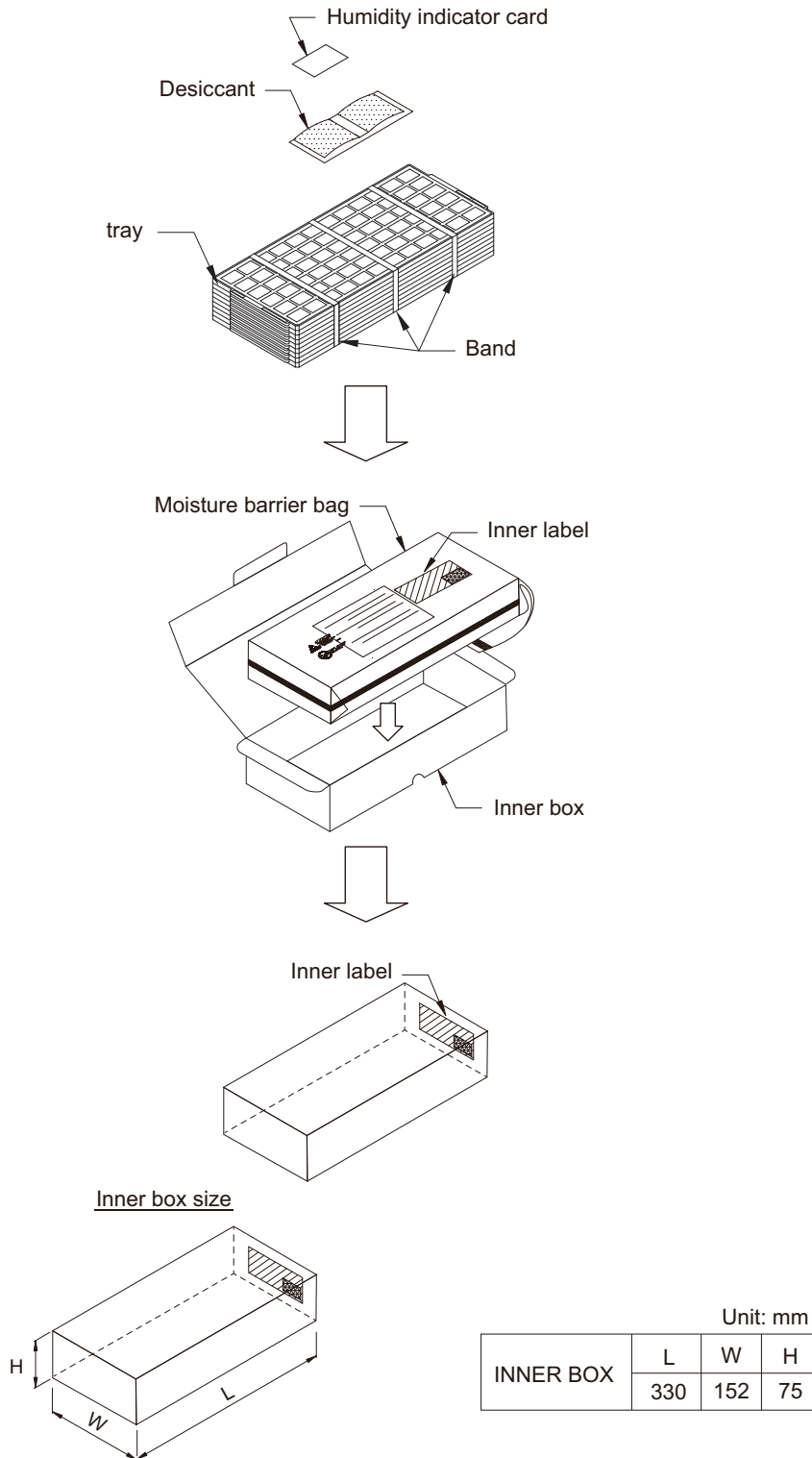
The pin1 is located in the hatching portion.



| Tray Code | | TQFP14x14x1.4 |
|-----------------------------------|----|---|
| Position dimension of cells | Z | 2.0 |
| | Zw | 15.45 |
| | ZL | 15.4 |
| | eW | 21.0 |
| | eL | 20.3 |
| | Sw | 92.1 |
| Thickness (mm) | H1 | 7.62 |
| Number of cells | Nw | 6 |
| | NL | 15 |
| Maximum storage pcs. IC/Tray | | 90 |
| Maximum storage pcs. IC/Inner box | | 720 |
| Material | | Carbon PPE |
| Heat resistant temperature | | 135°C MAX |
| JEDEC or Custom | | JEDEC |
| Surface resistance | | Less than $1 \times 10^{11} \Omega/\square$ |

RDK-H-000860

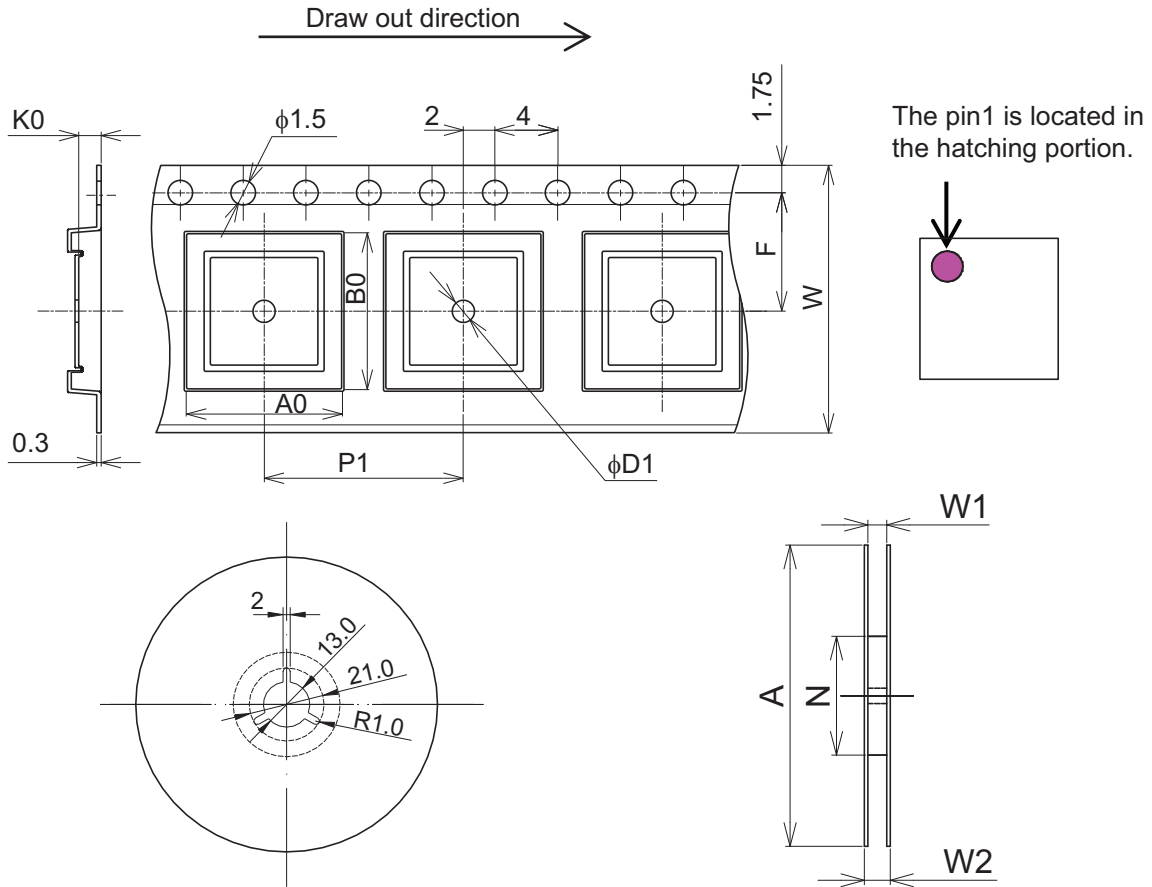
Packing Specification
Tray Packing
(Tray dry pack)



H-000531

**Packing Specification
Tape & Reel Outline Drawing
E2424Q14RA**

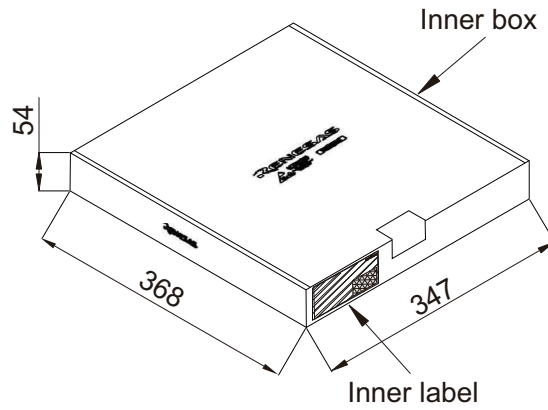
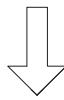
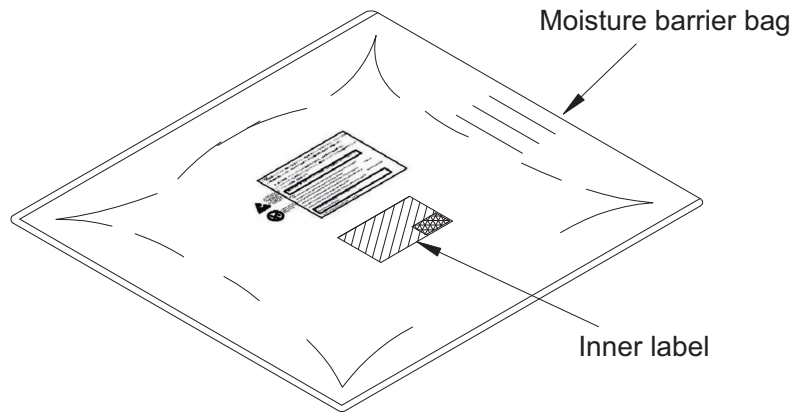
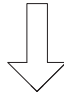
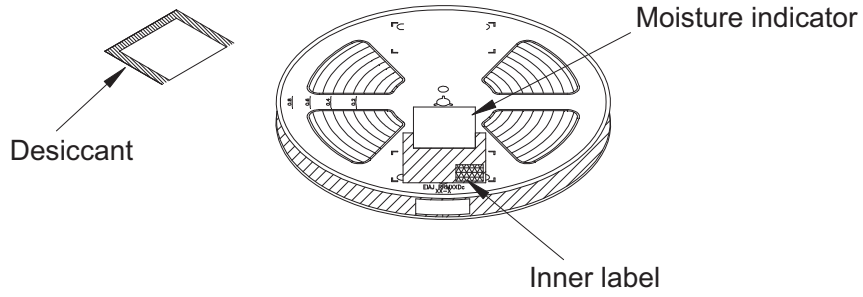
Unit: mm



| Tape Code | | E2424Q14RA |
|-------------------------------|----|---|
| Tape Dimensions (mm) | W | 24.0 |
| | P1 | 20.0 |
| | A0 | 16.5 |
| | B0 | 16.5 |
| | K0 | 1.4 |
| | F | 11.50 |
| | D1 | 2.0 |
| Reel Dimensions (mm) | A | 330 |
| | N | 100 |
| | W1 | 25.4 |
| | W2 | 29.4 |
| Maximum storage Pcs. IC/ Reel | | 1000 |
| Material | | Carbon PS |
| Surface resistance | | Less than $1 \times 10^{11} \Omega/\square$ |

H-001575

Packing Specification
Tape & Reel Packing
(Tape dry pack)



RDK-H-000152

© 2017 Renesas Electronics Corporation. All rights reserved.