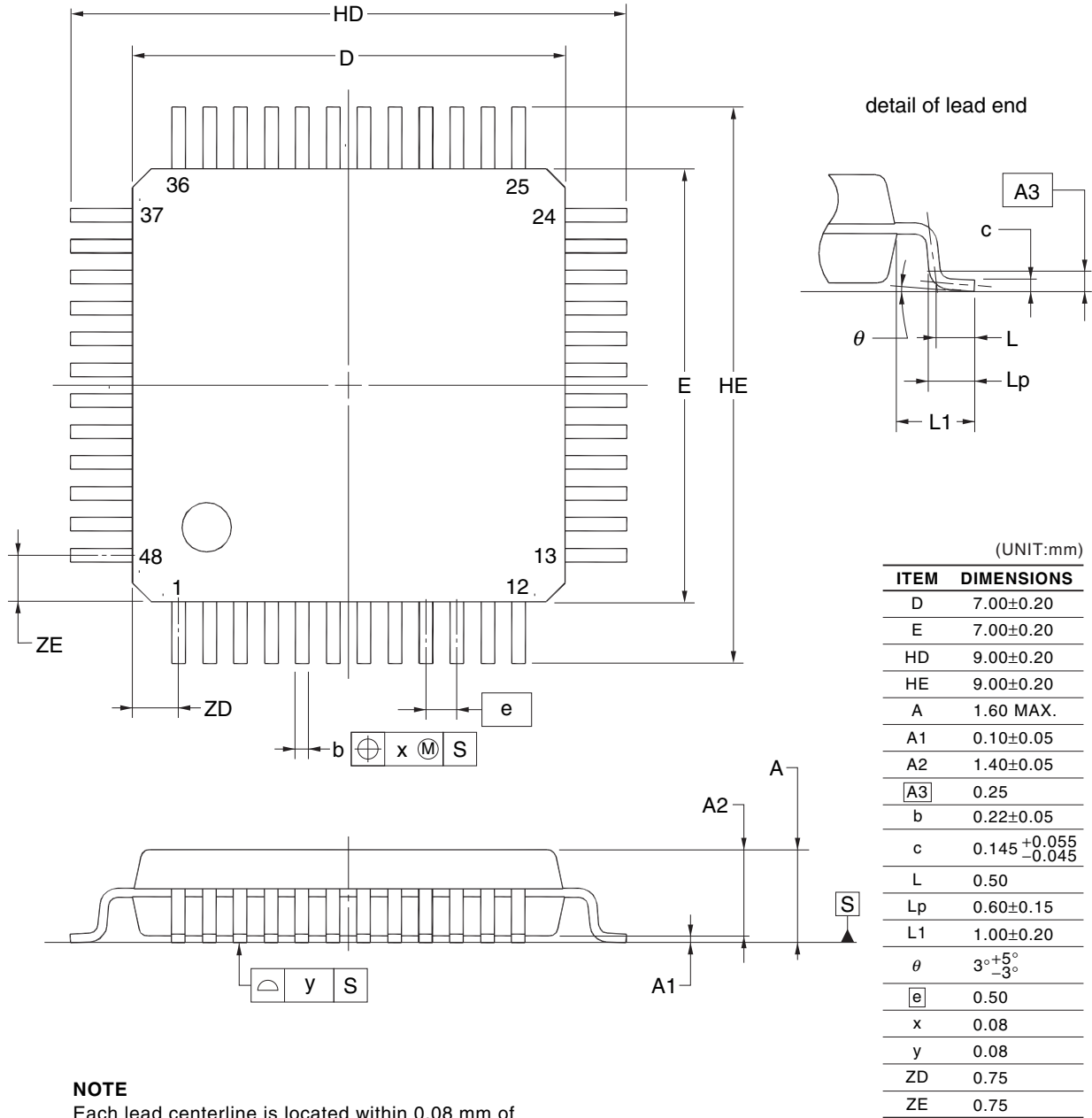


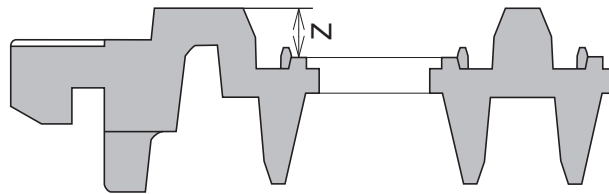
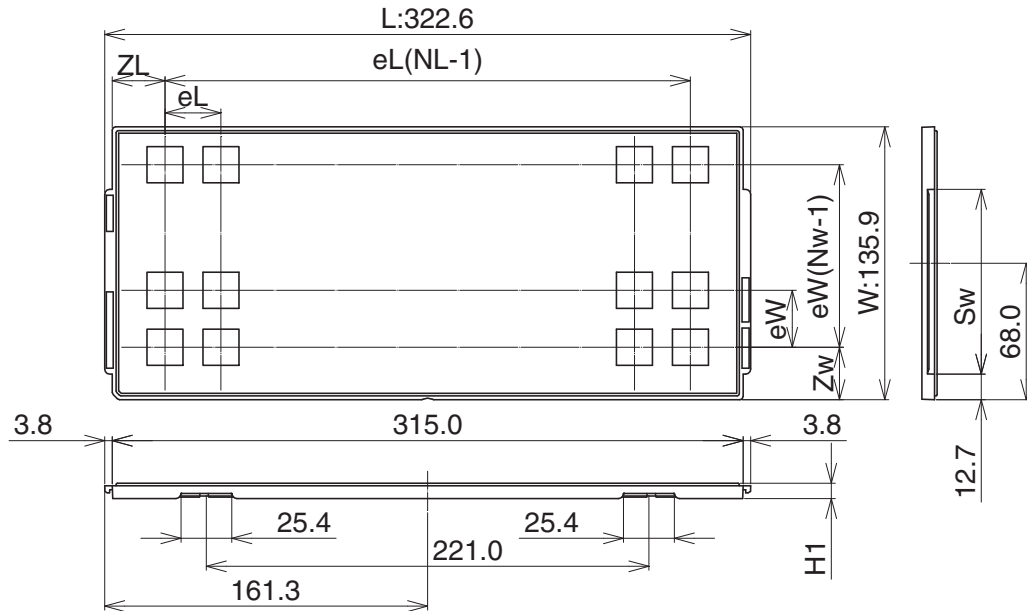
JEITA Package Code	RENESAS Code	Previous Code	MASS (TYP.) [g]
P-LFQFP48-7x7-0.50	PLQP0048KF-A	P48GA-50-8EU-1	0.16



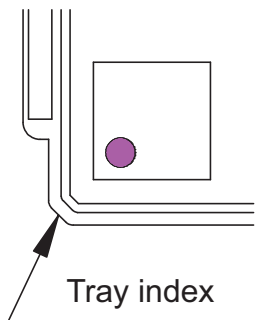
**NOTE**  
Each lead centerline is located within 0.08 mm of its true position at maximum material condition.

**Packing Specification  
Tray Outline Drawing  
LQFP7x7x1.4**

Unit: mm



The pin1 is located in the hatching portion.



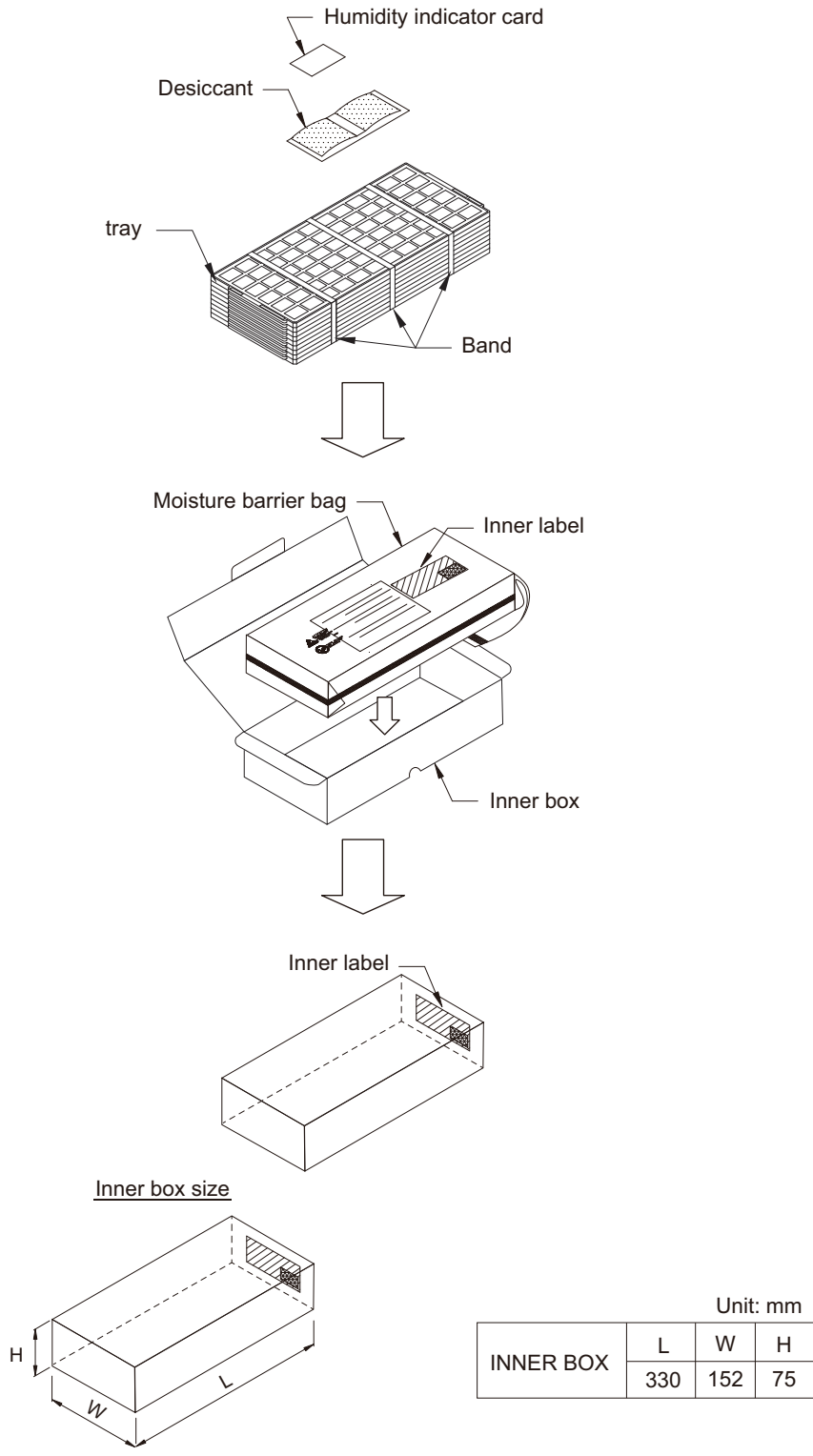
Tray Code		LQFP7x7x1.4
Position dimension of cells	Z	2.0
	Zw	11.25
	ZL	11.1
	eW	12.6
	eL	12.2
	Sw	92.1
Thickness (mm)	H1	7.62
Number of cells	Nw	10
	NL	25
Maximum storage pcs. IC/Tray		250
Maximum storage pcs. IC/Inner box		2000
Material		Carbon PPE
Heat resistant temperature		135°C MAX
JEDEC or Custom		JEDEC
Surface resistance		Less than $1 \times 10^{11} \Omega/\square$

RDK-H-000596

# Packing Specification

## Tray Packing

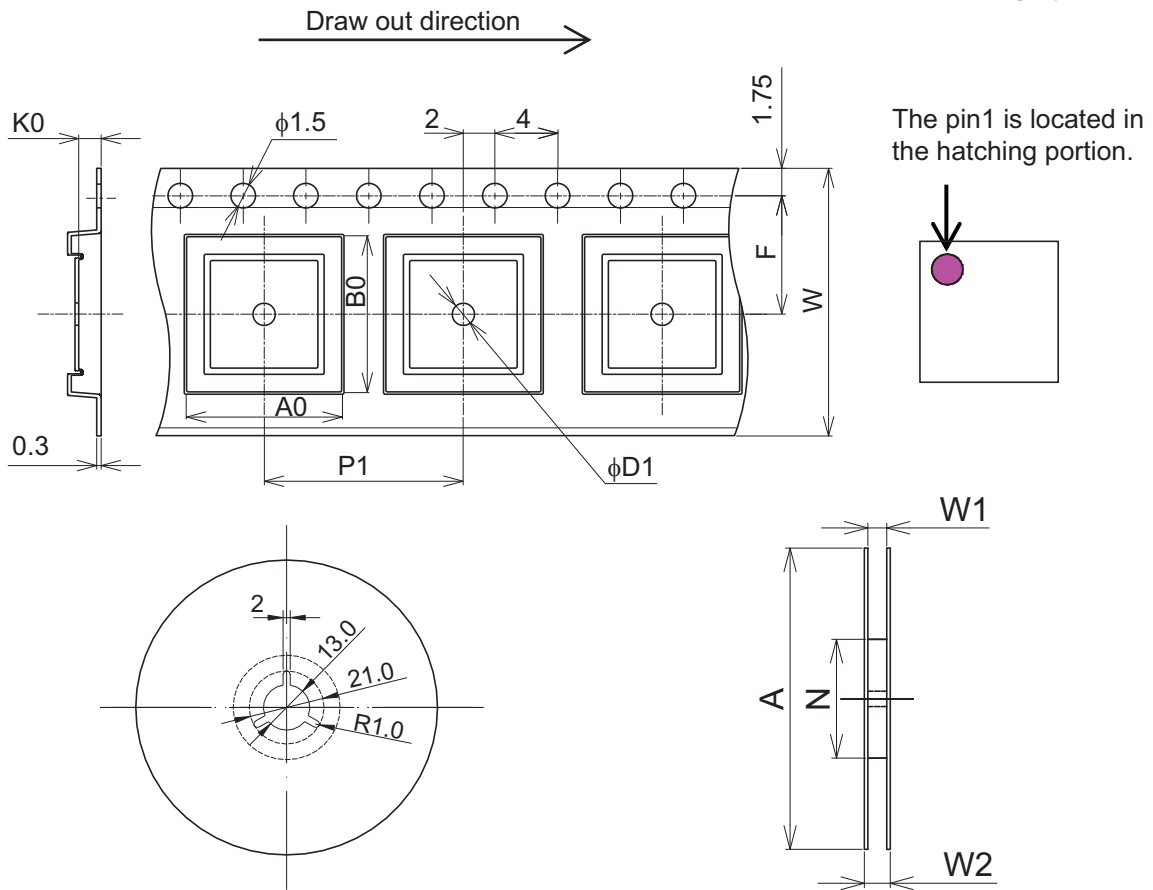
### (Tray dry pack)



H-000531

**Packing Specification  
Tape & Reel Outline Drawing  
E1612Q07RA**

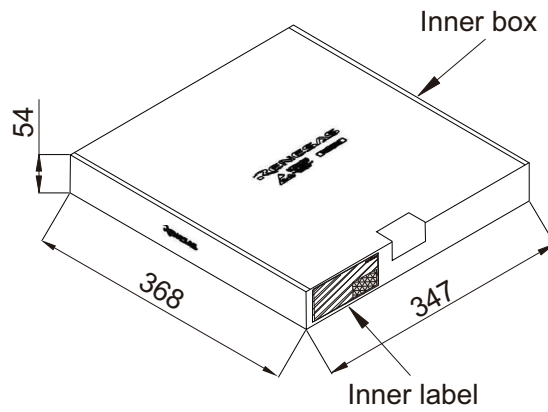
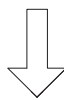
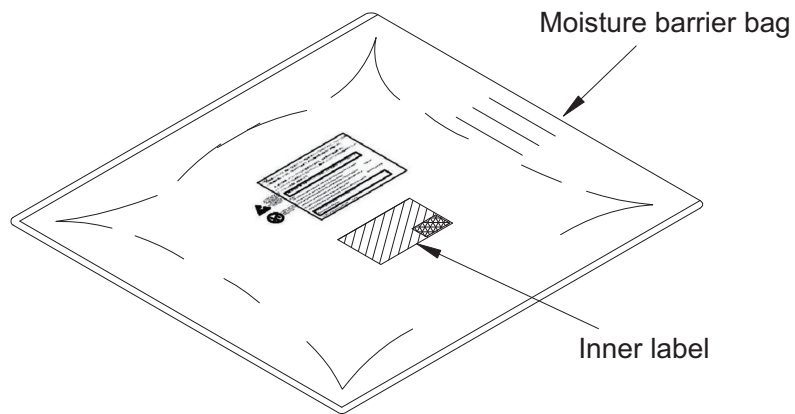
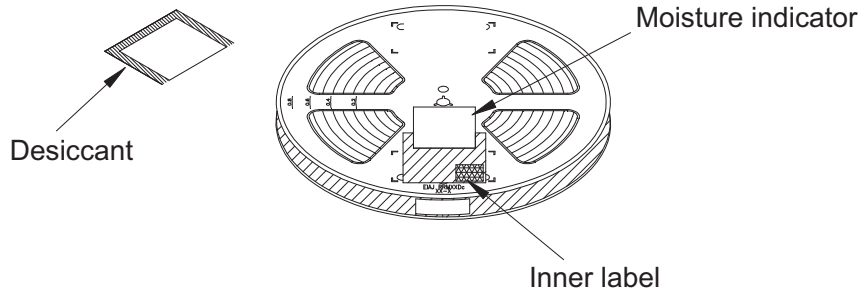
Unit: mm



Tape Code		E1612Q07RA
Tape Dimensions (mm)	W	16.0
	P1	12.0
	A0	9.5
	B0	9.5
	K0	1.40
	F	7.50
	D1	1.5
Reel Dimensions (mm)	A	330
	N	100
	W1	17.4
	W2	21.4
Maximum storage Pcs. IC/ Reel		2000
Material		Carbon PS
Surface resistance		Less than $1 \times 10^{11} \Omega/\square$

H-001563

**Packing Specification  
Tape & Reel Packing  
(Tape dry pack)**



RDK-H-000152

© 2017 Renesas Electronics Corporation. All rights reserved.