

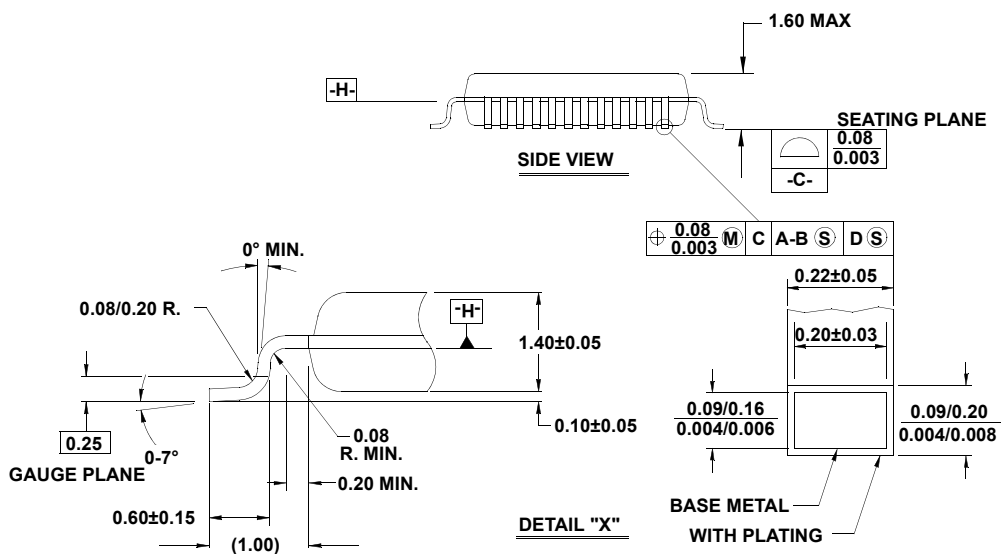
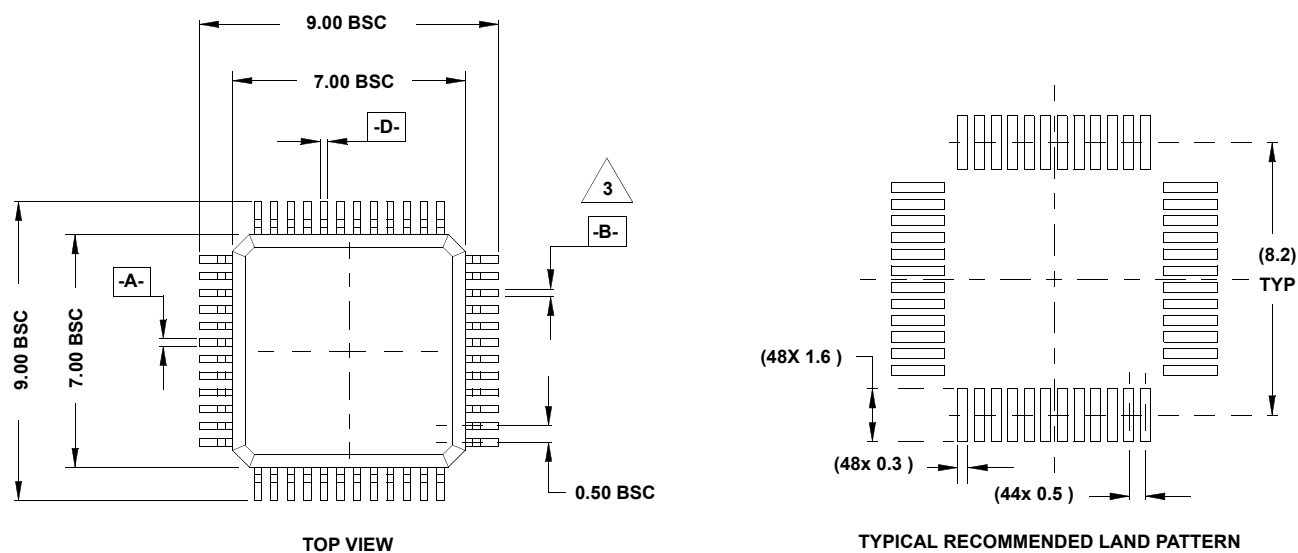
Plastic Packages for Integrated Circuits

Package Outline Drawing

Q48.7x7A

48 LEAD LOW PLASTIC QUAD FLATPACK PACKAGE (LQFP)

Rev 4, 7/11



NOTES:

- Controlling dimension: MILLIMETER. Converted inch dimensions are not necessarily exact.
- All dimensions and tolerances per ANSI Y14.5M-1982
- Lead to lead width and length to be determined at seating plane. C
- Body width and length to be determined at datum plane. H
- Dimensions D1 and E1 do not include mold protrusion. Allowable protrusion is 0.025mm (0.10 inch) per side.
- Dimension b does not include dambar protrusion. Allowable dambar protrusion shall not cause the lead width to exceed the maximum b dimension by more than 0.08mm (0.003 inch)
- Package outline compliant to JEDEC MS-026BBC.