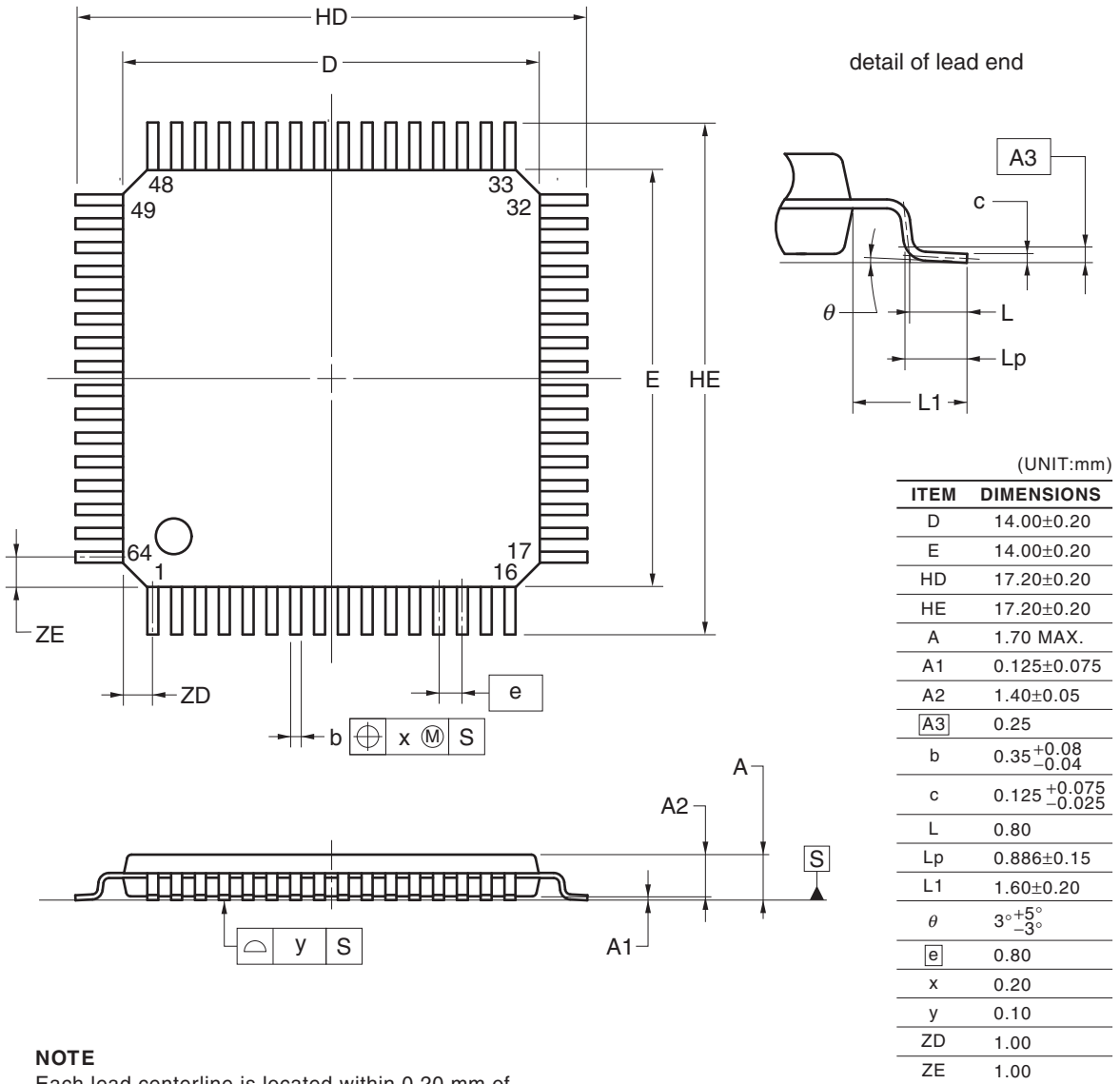


JEITA Package Code	RENESAS Code	Previous Code	MASS (TYP.) [g]
P-LQFP64-14x14-0.80	PLQP0064GC-C	P64GC-80-GAL-2	0.72



NOTE
Each lead centerline is located within 0.20 mm of its true position at maximum material condition.