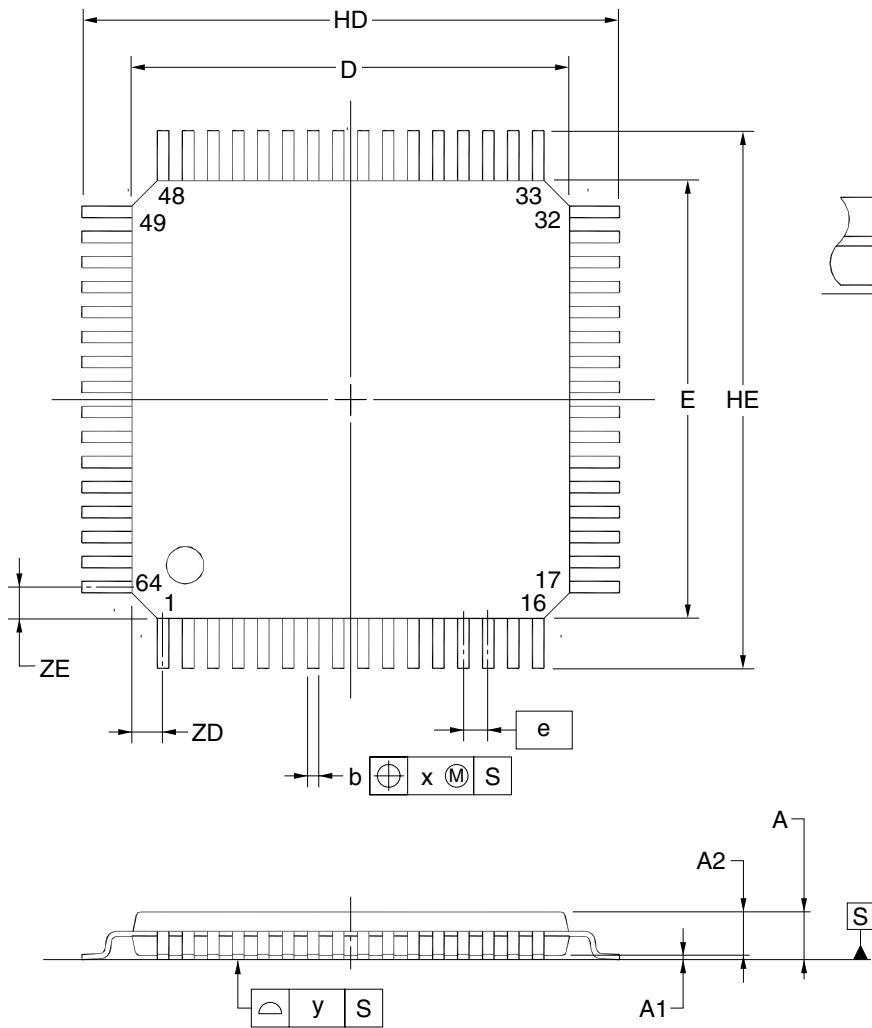


64-PIN PLASTIC LQFP(14x14)



(UNIT:mm)

ITEM	DIMENSIONS
D	14.00±0.20
E	14.00±0.20
HD	17.20±0.20
HE	17.20±0.20
A	1.70 MAX.
A1	0.125±0.075
A2	1.40±0.05
A3	0.25
b	0.37 ^{+0.08} _{-0.07}
c	0.17 ^{+0.03} _{-0.06}
L	0.80
Lp	0.886±0.15
L1	1.60±0.20
θ	3° ^{+5°} _{-3°}
e	0.80
x	0.20
y	0.10
ZD	1.00
ZE	1.00

P64GC-80-UBS

NOTE
 Each lead centerline is located within 0.20 mm of its true position at maximum material condition.