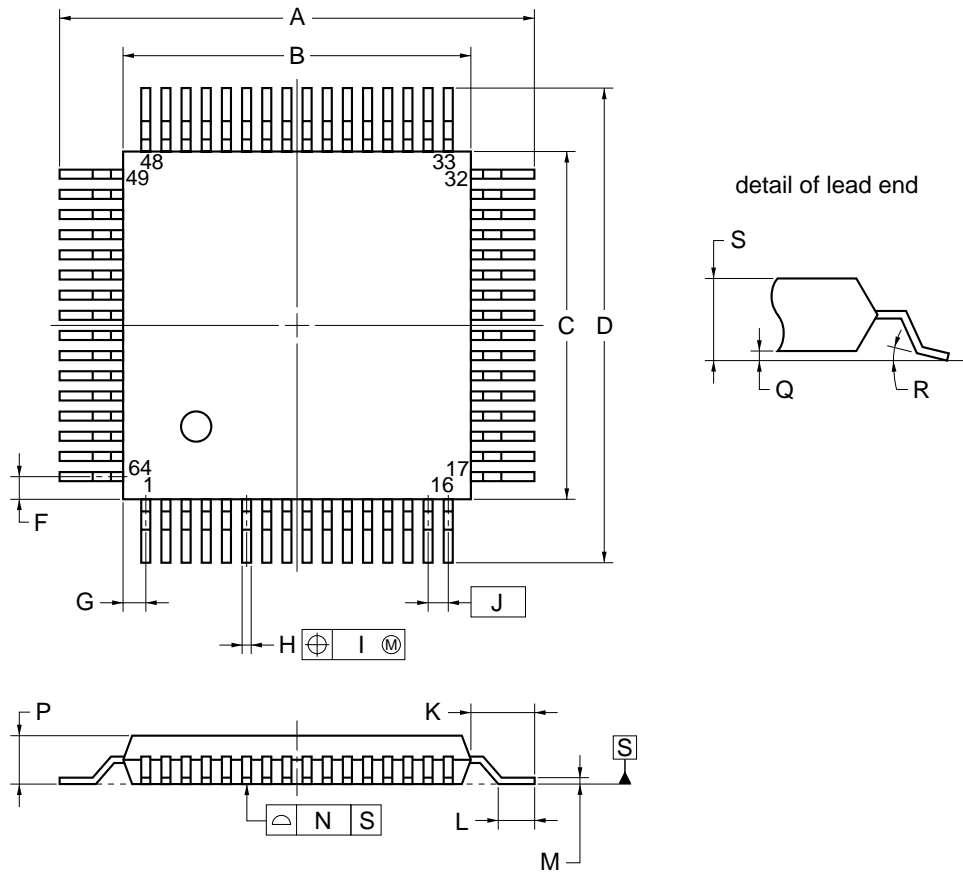


64-PIN PLASTIC QFP (14x14)



NOTE

Each lead centerline is located within 0.15 mm of its true position (T.P.) at maximum material condition.

ITEM	MILLIMETERS
A	18.4±0.4
B	14.0±0.2
C	14.0±0.2
D	18.4±0.4
F	1.0
G	1.0
H	0.35±0.10
I	0.15
J	0.8 (T.P.)
K	2.2±0.2
L	1.0±0.2
M	0.15 ^{+0.10} _{-0.05}
N	0.15
P	1.5±0.1
Q	0.1±0.1
R	5°±5°
S	1.7 MAX.

P64G-80-22-3