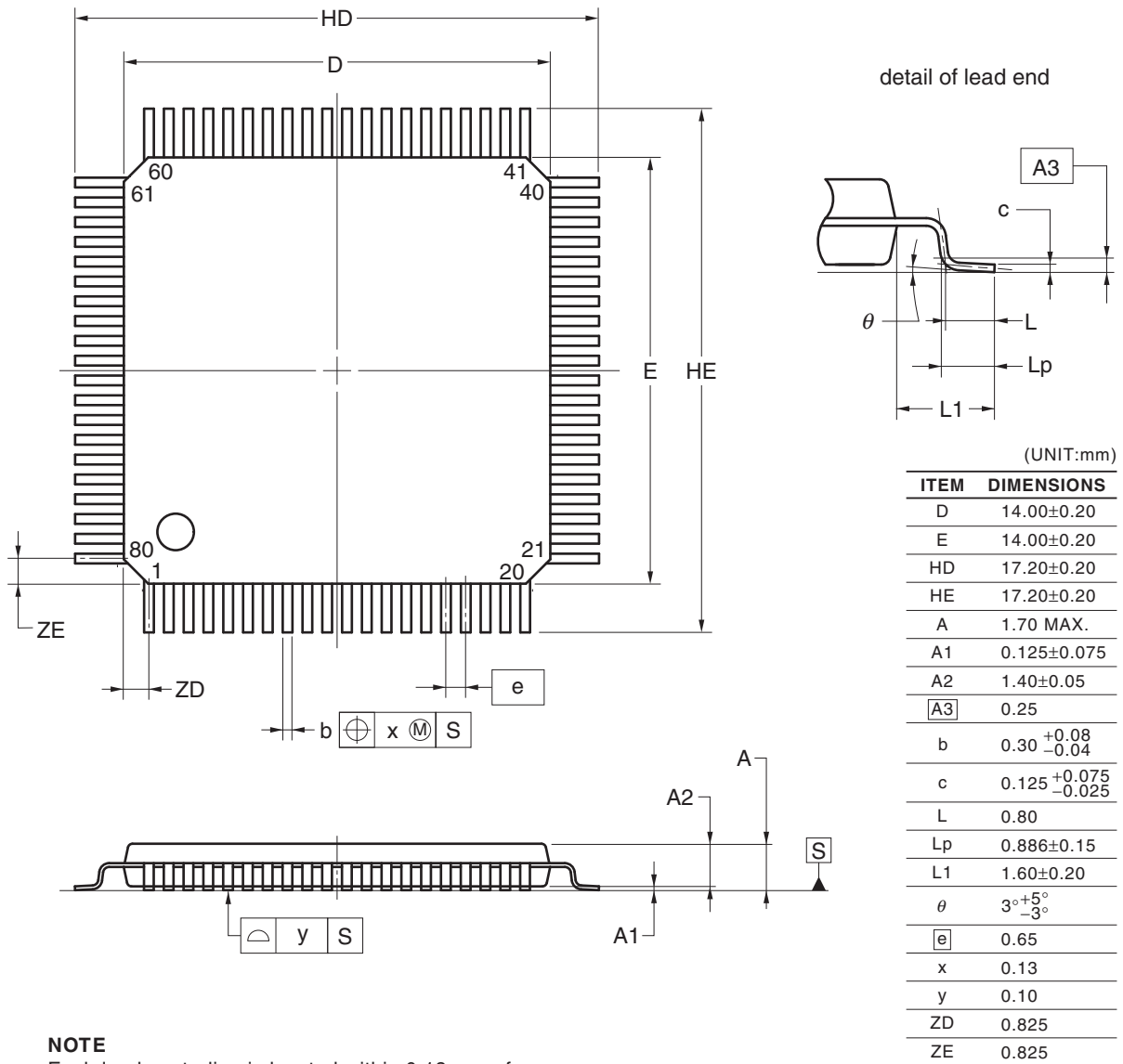


JEITA Package Code	RENESAS Code	Previous Code	MASS (TYP.) [g]
P-LQFP80-14x14-0.65	PLQP0080JB-C	P80GC-65-GAD-2	0.69



NOTE
Each lead centerline is located within 0.13 mm of its true position at maximum material condition.