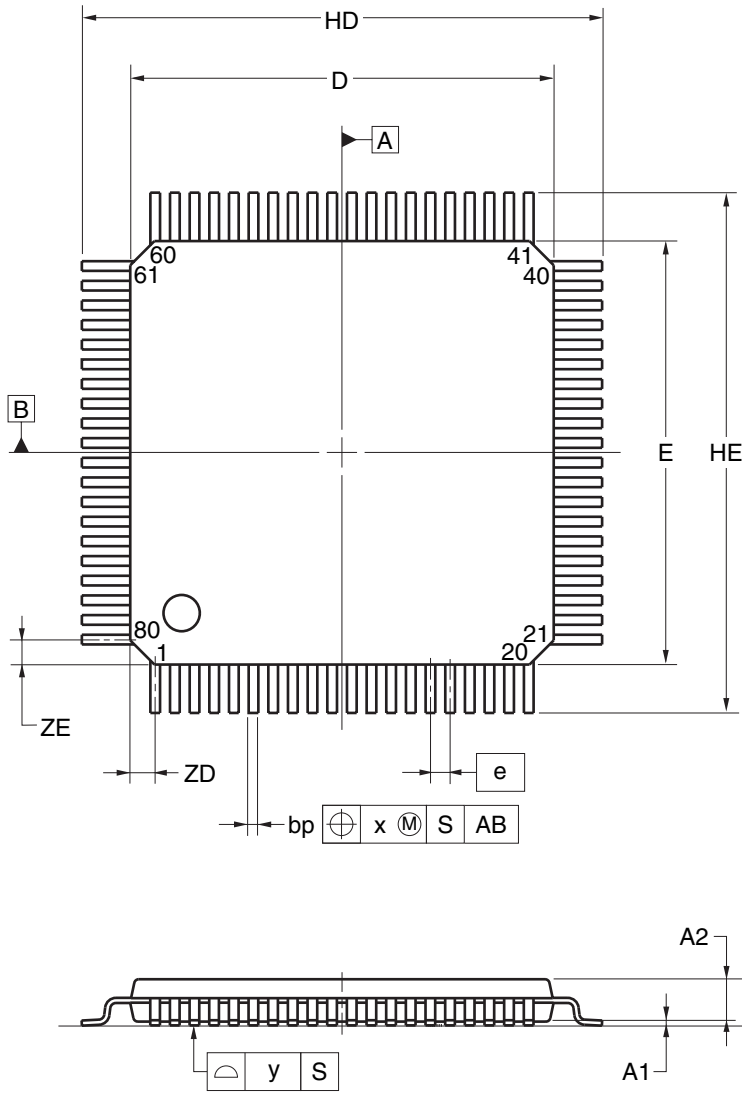
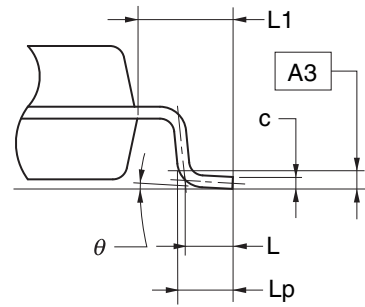


JEITA Package Code	RENESAS Code	Previous Code	MASS (TYP.) [g]
P-LQFP80-14x14-0.65	PLQP0080JB-E	P80GC-65-UBT-2	0.69



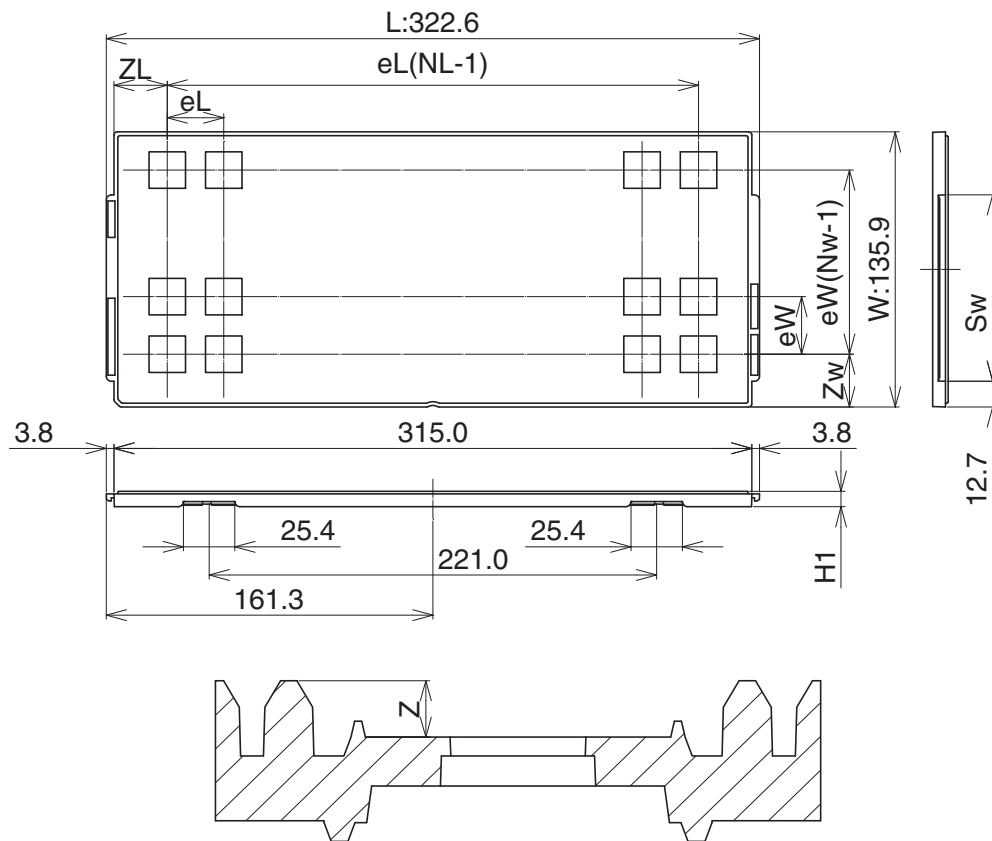
detail of lead end



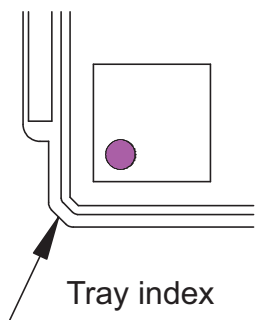
Reference Symbol	Dimension in Millimeters		
	Min	Nom	Max
D	13.80	14.00	14.20
E	13.80	14.00	14.20
HD	17.00	17.20	17.40
HE	17.00	17.20	17.40
A	—	—	1.70
A1	0.05	0.125	0.20
A2	1.35	1.40	1.45
A3	—	0.25	—
bp	0.26	0.32	0.38
c	0.10	0.145	0.20
L	—	0.80	—
Lp	0.736	0.886	1.036
L1	1.40	1.60	1.80
θ	0°	3°	8°
e	—	0.65	—
x	—	—	0.13
y	—	—	0.10
ZD	—	0.825	—
ZE	—	0.825	—

**Packing Specification
Tray Outline Drawing
LQFP1414-8BT**

Unit: mm



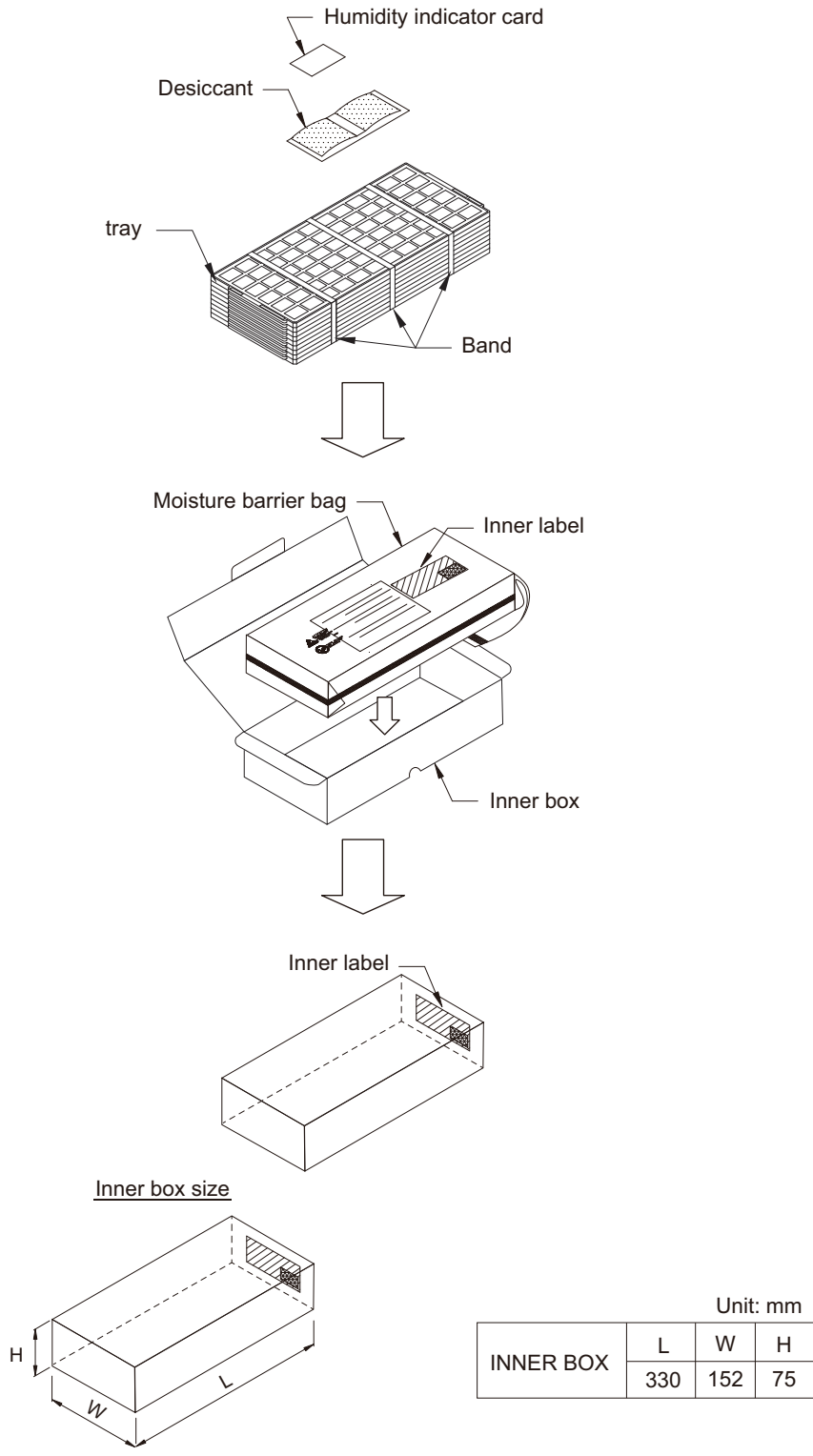
The pin1 is located in the hatching portion.



Tray Code		LQFP1414-8BT
Position dimension of cells	Z	2
	Zw	15.45
	ZL	15.40
	eW	21.00
	eL	20.30
	Sw	92.1
Thickness (mm)	H1	7.62
Number of cells	Nw	6
	NL	15
Maximum storage pcs. IC/Tray		90
Maximum storage pcs. IC/Inner box		720
Material		Carbon PPE
Heat resistant temperature		135°C MAX
JEDEC or Custom		JEDEC
Surface resistance		Less than $1 \times 10^{11} \Omega/\square$

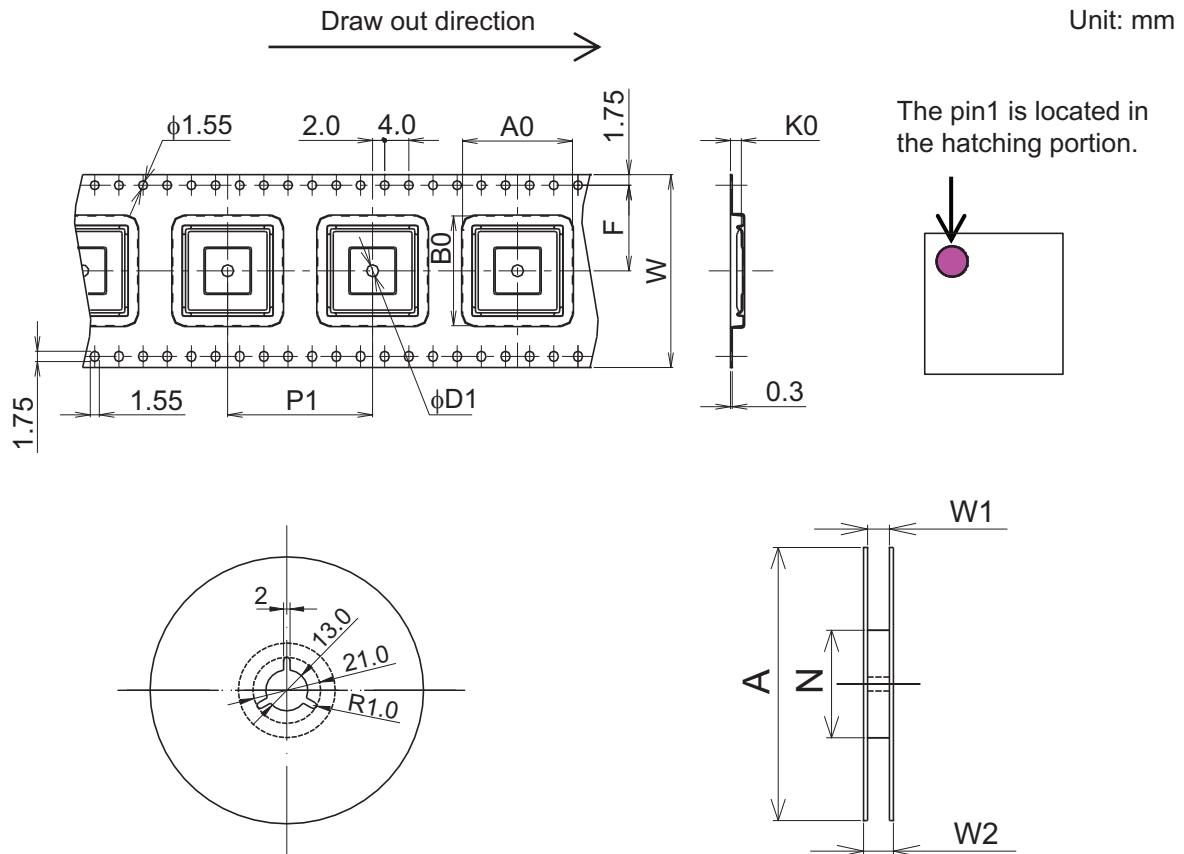
RDK-H-000768

Packing Specification
Tray Packing
(Tray dry pack)



H-000531

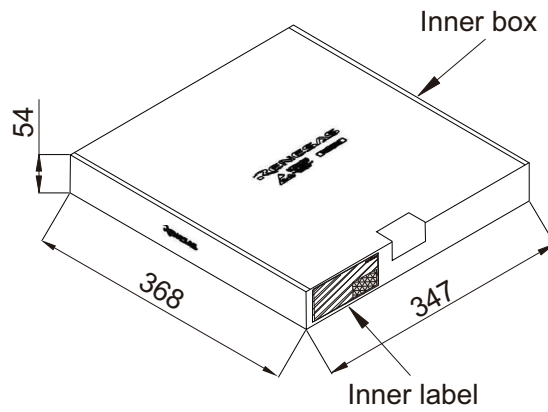
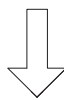
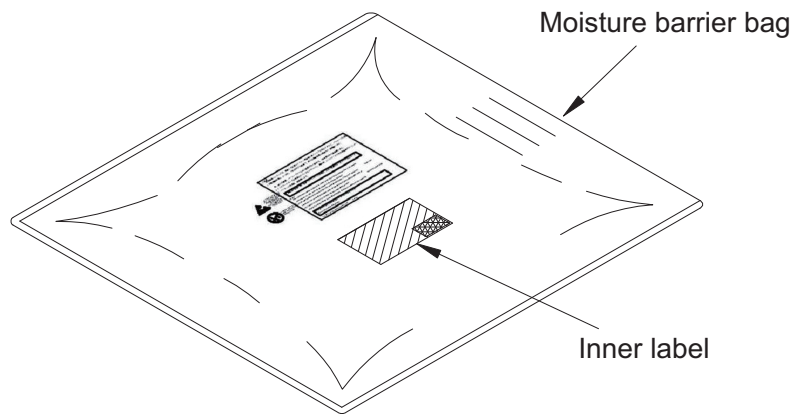
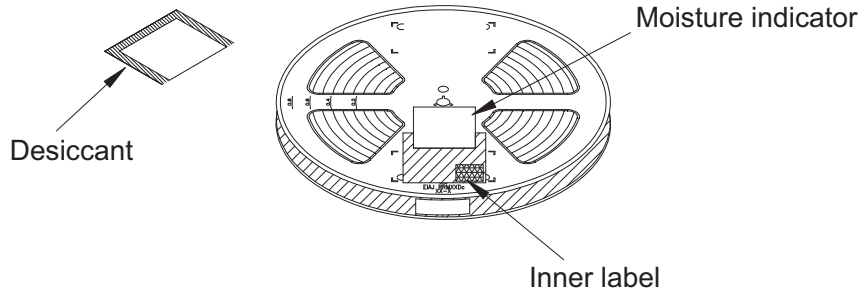
Packing Specification
Tape & Reel Outline Drawing
F32x24-0HCA



Tape Code		F32x24-0HCA
Tape Dimensions (mm)	W	32.0
	P1	24.0
	A0	18.5
	B0	18.5
	K0	1.8
	F	14.2
	D1	2.05
Reel Dimensions (mm)	A	330
	N	100
	W1	33.5
	W2	37.5
Maximum storage Num. IC/ Reel		1000
Material		Carbon PS
Surface resistance		Less than $1 \times 10^{11} \Omega/\square$

RDK-H-001553

**Packing Specification
Tape & Reel Packing
(Tape dry pack)**



RDK-H-000152

© 2017 Renesas Electronics Corporation. All rights reserved.