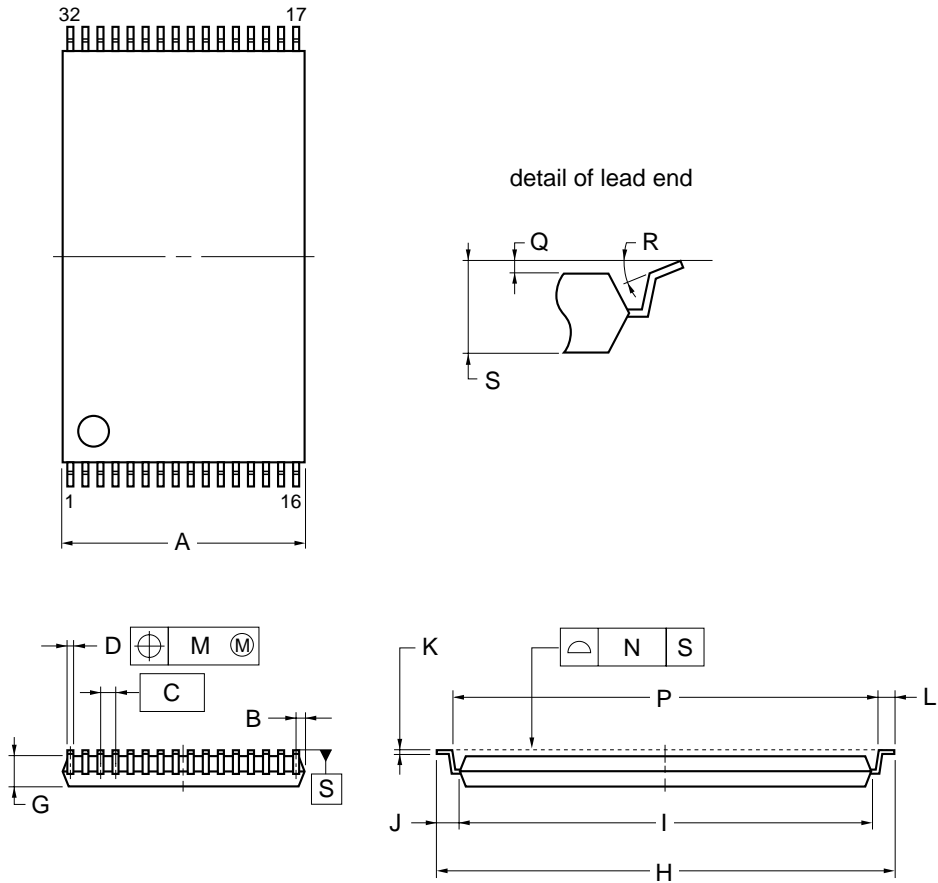


32-PIN PLASTIC TSOP(I) (15.24mm (600))



NOTE

Each lead centerline is located within 0.08 mm of its true position (T.P.) at maximum material condition.

ITEM	MILLIMETERS
A	8.2 MAX.
B	0.45 MAX.
C	0.5 (T.P.)
D	0.20±0.10
G	1.05
H	15.3±0.2
I	13.7
J	0.8±0.2
K	0.125 ^{+0.10} _{-0.05}
L	0.5±0.1
M	0.08
N	0.10
P	14.3±0.2
Q	0.05±0.05
R	5°±5°
S	1.27 MAX.

S32GX-50-EKA-2