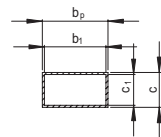
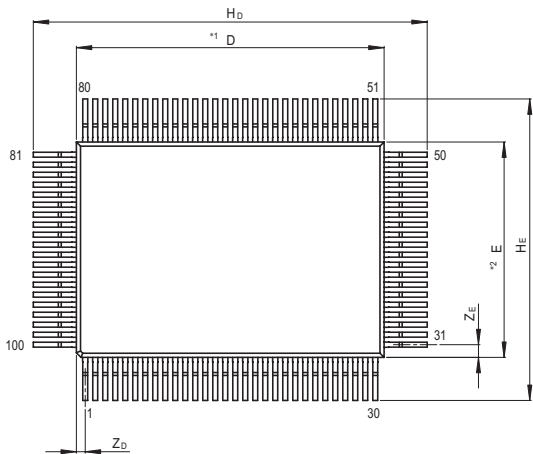
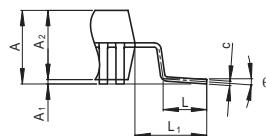


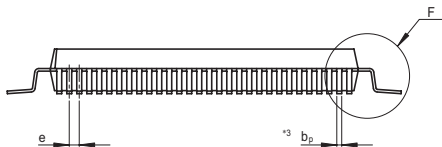
JEITA Package Code	RENESAS Code	Previous Code	MASS[Typ.]
P-QFP100-14x20-0.65	PRQP0100JE-A	FP-100/FP-100V	1.8g



Terminal cross section



Detail F



NOTE)
 1. DIMENSIONS**1*AND**2*
 DO NOT INCLUDE MOLD FLASH
 2. DIMENSION**3*DOES NOT
 INCLUDE TRIM OFFSET.

Reference Symbol	Dimension in Millimeters		
	Min	Nom	Max
D	—	20	—
E	—	14	—
A ₂	—	2.70	—
H _D	25.2	25.6	26.0
H _E	19.2	19.6	20.0
A	—	—	3.10
A ₁	0	—	—
b _p	0.24	0.32	0.40
b ₁	—	0.30	—
c	0.12	0.17	0.22
c ₁	—	0.15	—
θ	0°	—	10°
e	0.50	0.65	0.80
x	—	—	—
y	—	—	—
Z _D	—	0.58	—
Z _E	—	0.83	—
L	1.4	1.7	2.0
L ₁	—	2.8	—