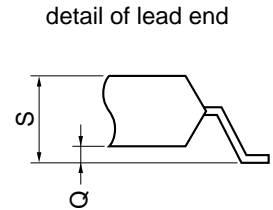
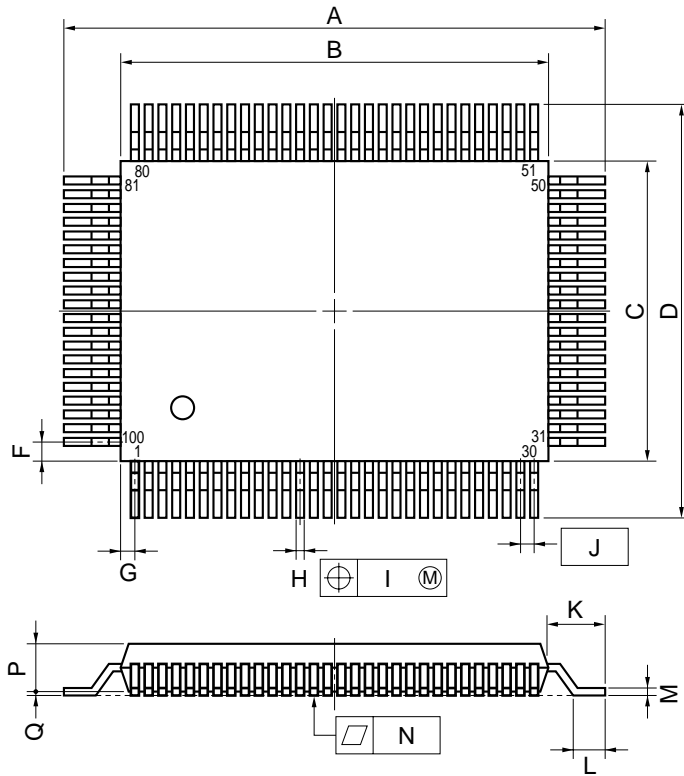


# 100 PIN PLASTIC QFP (14 × 20)



## NOTE

Each lead centerline is located within 0.15 mm (0.006 inch) of its true position (T.P.) at maximum material condition.

ITEM	MILLIMETERS	INCHES
A	25.6±0.4	1.008±0.016
B	20.0±0.2	0.795 <sup>+0.009</sup> <sub>-0.008</sub>
C	14.0±0.2	0.551 <sup>+0.009</sup> <sub>-0.008</sub>
D	19.6±0.4	0.772 <sup>+0.016</sup> <sub>-0.017</sub>
F	0.8	0.031
G	0.6	0.024
H	0.30±0.10	0.012 <sup>+0.004</sup> <sub>-0.005</sub>
I	0.15	0.006
J	0.65 (T.P.)	0.026 (T.P.)
K	2.8±0.2	0.110 <sup>+0.009</sup> <sub>-0.008</sub>
L	1.7±0.2	0.067±0.008
M	0.15 <sup>+0.10</sup> <sub>-0.05</sub>	0.006 <sup>+0.004</sup> <sub>-0.003</sub>
N	0.15	0.006
P	2.05 <sup>+0.2</sup> <sub>-0.1</sub>	0.081 <sup>+0.008</sup> <sub>-0.005</sub>
Q	0.1±0.1	0.004±0.004
S	2.45 MAX.	0.097 MAX.