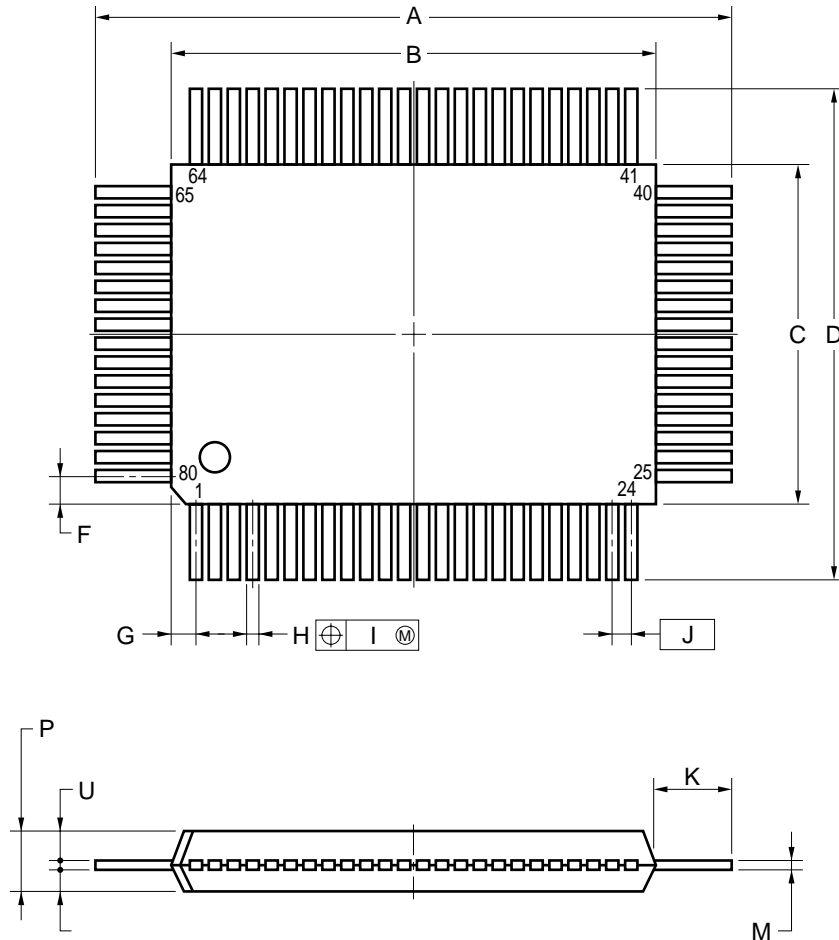


## 80-PIN PLASTIC QFP (STRAIGHT) (14x20)



### NOTE

Each lead centerline is located within 0.15 mm of its true position (T.P.) at maximum material condition.

ITEM	MILLIMETERS
A	24.4±0.4
B	20.0±0.2
C	14.0±0.2
D	18.4±0.4
F	1.0
G	0.8
H	0.35±0.10
I	0.15
J	0.8 (T.P.)
K	2.2±0.2
M	0.15 <sup>+0.10</sup> <sub>-0.05</sub>
P	2.7
T	1.0
U	1.55

S80GF-80-3K9-2