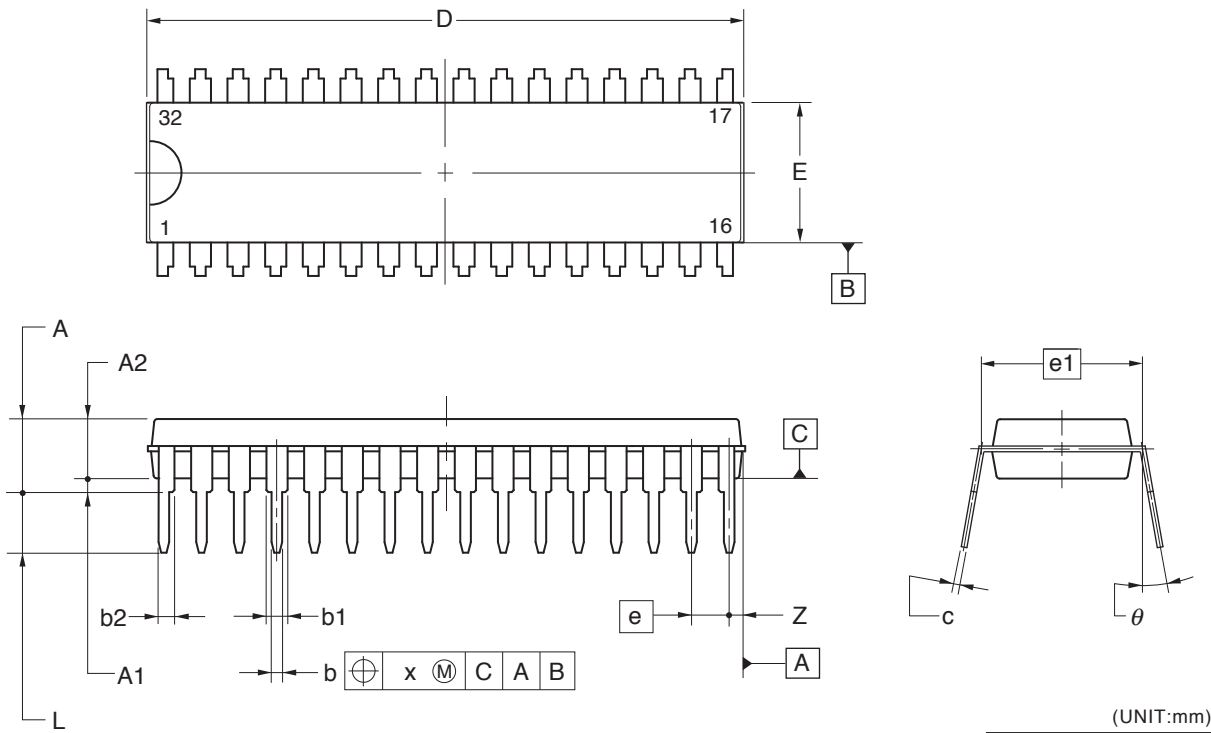


### 32-PIN PLASTIC SDIP (7.62mm(300))



(UNIT:mm)

ITEM	DIMENSIONS
D	28.05±0.15
E	6.60±0.20
A	3.45±0.15
A1	0.65±0.10
A2	2.80
e	1.778
e1	7.62
b	0.50±0.10
b1	1.02±0.10
b2	0.75±0.10
c	0.25 <sup>+0.10</sup> <sub>-0.05</sub>
L	2.86±0.20
x	0.25
θ	0° to 15°
Z	0.615

P32CS-70-CAA-1