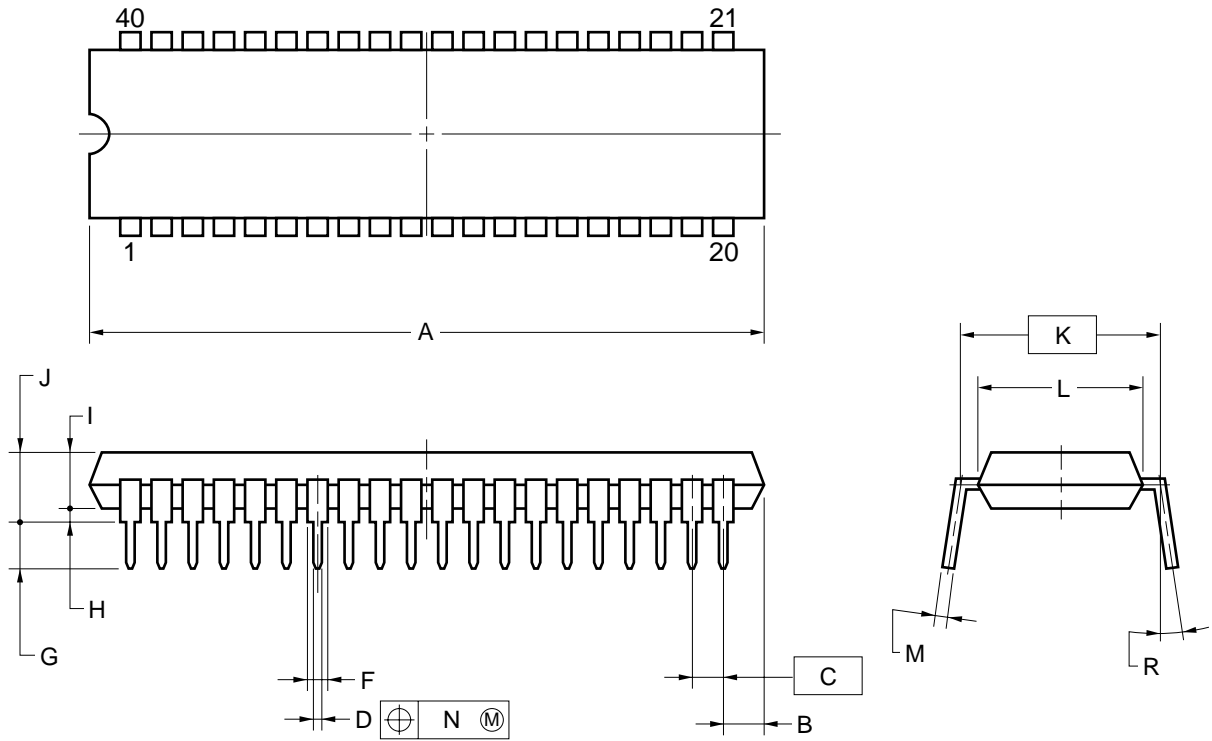


## 40-PIN PLASTIC SDIP (15.24mm(600))



### NOTES

- Each lead centerline is located within 0.17 mm of its true position (T.P.) at maximum material condition.
- Item "K" to center of leads when formed parallel.

ITEM	MILLIMETERS
A	39.13 MAX.
B	2.67 MAX.
C	1.778 (T.P.)
D	0.50±0.10
F	0.9 MIN.
G	3.2±0.3
H	0.51 MIN.
I	4.31 MAX.
J	5.08 MAX.
K	15.24 (T.P.)
L	13.2
M	0.25 <sup>+0.10</sup> <sub>-0.05</sub>
N	0.17
R	0-15°

P40C-70-600A-2